

HYDRAULIC TORQUE WRENCH PUMPS

Electric EP1000



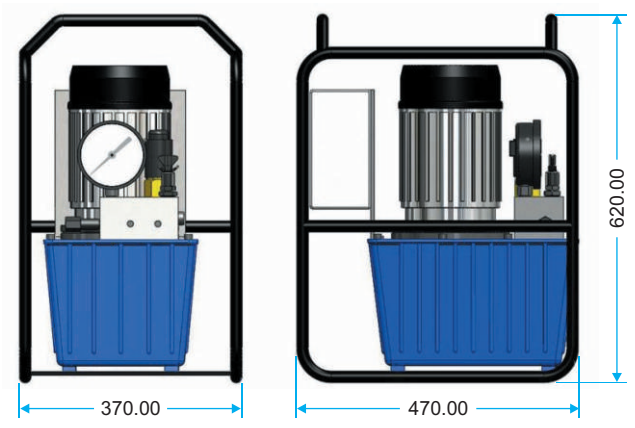
EP1000 with Mono Port



EP1000 with Quadra Port (4 Port)

EP1000 - High Flow - High Speed for Heavy Duty Application

- Quadra-Port Multi-Port Manifold (Max. 4 Ports).
- Cool running continuous duty axial piston pump.
- Single phase induction motor.
- 115V and 230V available.
- Starts under full load.
- Runs on reduced voltage.
- Quiet operation (approx. 80 dBA @ 10,000 PSI).
- Rugged remote pendant to control motor and valve.
- Easily adjustable pressure control knob.
- Auto-dump relieves oil pressure from hoses.
- Completely enclosed motor housing and electronics.
- 2 Gallon oil reservoir.
- Precise PSI/BAR pressure gauge.
- Quick-connect no-drip couplers with safety locking collar.
- Supplied with dual non-conductive high pressure hose with couplers.



Resvr. Size (Gal.)	Valve		Motor Specifications	Flow Rate @ 230 VAC		Weight	
	Control	Type		600 psi	10,000 psi	kg	lbs
2	Solenoid	3 Way/2 Pos.	1.5 HP Single Phase	9.5 lpm	0.9 lpm	38	84

Retract pressure is preset at 1,300 PSI.