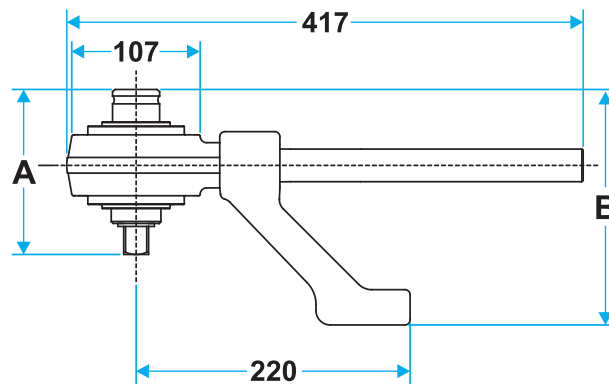


# NANO SERIES TORQUE MULTIPLIER



## Features :

- Compact, Heavy Duty Torque Multiplier with a torque multiplication of 5:1.
- Accuracy better than  $\pm 4\%$  with high repeatability.
- Provided with detachable reaction handle.
- Optional offset reaction arm also available on demand.
- Supplied in sturdy molded plastic carrying case for better storage & handling.

Model No.	Capacity			Ratio	Sq. Drive (inch)		A mm	B mm	Weight (Kg)	
	Kgm.	Lb.ft.	Nm.		input	Output			Without Box	With Box
NANO - 17	170	1250	1700	5:1	1/2	3/4	107	115	3.80	4.80
NANO - 28	285	2050	2800	5:1	3/4	1	107	126	3.90	4.90