

PSD-EXT SERIES SPECIFICATIONS



Simply...

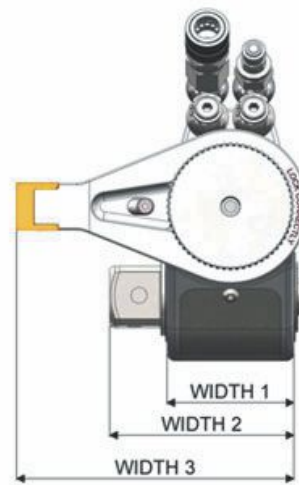
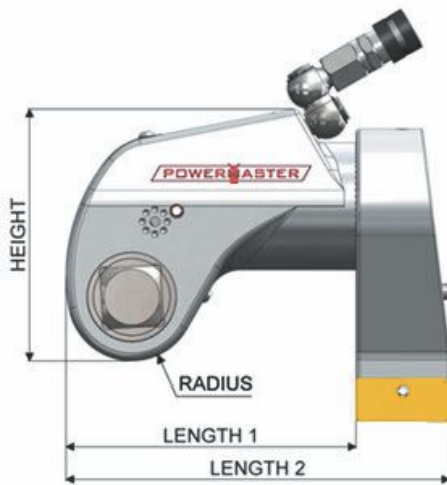
The Most Advanced Wrench Ever Produced

- Faster Stroke!
- Anti-Back Lash Mechanism!
- Hands-Off Operation!
- Less Moving Parts!
- Unique Design to Fit Every Application!
- Accurate Repeatability!

The PSD-EXT series has the same features as the PSD series with the exception of having the splines on the outside of the tool body Vs on the inside for the PSD series.

Technical

Model No.	PSD-EXT 2	PSD-EXT 3	PSD-EXT 5	PSD-EXT 7	PSD-EXT 11
Square Drive	3/4"	1"	1.1/2"	1.1/2"	1.1/2"
Min. Torque Kg-m(Ft/Lbs)	17 (127)	45 (330)	78 (565)	102 (740)	152 (1,100)
Max. Torque Kg-m(Ft/Lbs)	175 (1,270)	460 (3,330)	774 (5,600)	1,020 (7,400)	1,520 (11,000)
Output Accuracy	+/-3%	+/-3%	+/-3%	+/-3%	+/-3%
Repeatability	100%	100%	100%	100%	100%
Duty Cycle	100%	100%	100%	100%	100%
Tool Weight Kgs/(Lbs)	2.64 / (5.82)	5.00 / (11.02)	8.40 / (18.60)	12.70 / (28.00)	15.80 / (34.80)



Dimensions

Model No.	PSD-EXT 2		PSD-EXT 3		PSD-EXT 5		PSD-EXT 7		PSD-EXT 11	
	mm	inch	mm	inch	mm	inch	mm	inch	mm	inch
Height	105.32	4.15	134.50	5.30	161.60	6.36	182.20	7.17	198.35	7.81
Length 1	112.43	4.43	152.80	6.02	181.58	7.15	208.43	8.20	227.35	8.95
Length 2	160.43	6.30	212.80	8.38	251.76	9.91	290.93	11.45	313.33	12.33
Radius	24.89	0.98	32.50	1.28	41.27	1.62	45.20	1.78	49.88	1.96
Width 1	51.00	2.01	67.00	2.64	79.40	3.13	91.80	3.61	100.00	3.94
Width 2	68.82	2.71	93.27	3.67	111.20	4.38	128.35	5.05	136.80	5.38
Width 3	117.55	4.63	148.70	5.85	175.10	6.89	203.90	8.03	225.00	8.86