

PSD-UNISWIVEL SERIES SPECIFICATIONS



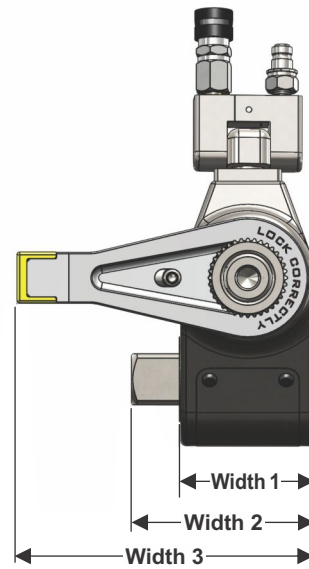
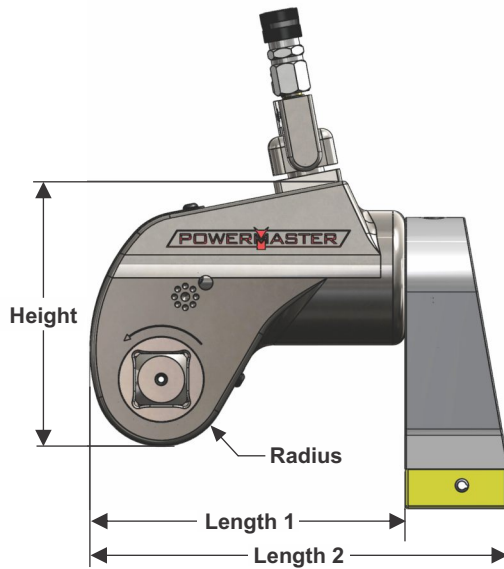
Simply...
The Most Advanced Wrench Ever Produced

- Faster Stroke!
- Anti-Back Lash Mechanism!
- Hands-Off Operation!
- A Slim Line Design offering unprecedented degree of Freedom!
- Less Moving Parts!
- Unique Design to Fit Every Application!
- Accurate Repeatability!

Are only a few of the Improvements that Powermaster has brought to the Industry!

Technical

Model No.	UNS-2	UNS-3	UNS-5	UNS-7	UNS-11
Square Drive	3/4"	1"	1.1/2"	1.1/2"	1.1/2"
Min. Torque Kg-m (Ft/Lbs)	17 (127)	45 (330)	77 (560)	102 (740)	152 (1,100)
Max. Torque Kg-m (Ft/Lbs)	175 (1,270)	460 (3,330)	770 (5,600)	1,020 (7,400)	1,520 (11,000)
Output Accuracy	+/-3%	+/-3%	+/-3%	+/-3%	+/-3%
Repeatability	100%	100%	100%	100%	100%
Duty Cycle	100%	100%	100%	100%	100%
Tool Weight Kgs / (Lbs)	1.77 / (3.90)	4.09 / (9.00)	8.60 / (18.90)	9.00 / (19.80)	13.50 / (29.60)



Dimensions

Model No.	UNS-2		UNS-3		UNS-5		UNS-7		UNS-11	
	mm	inch	mm	inch	mm	inch	mm	inch	mm	inch
Height	105	4.15	135	5.30	163	6.40	182	7.17	198	7.81
Length 1	121	4.76	153	6.02	194	7.62	208	8.20	227	8.95
Length 2	160	6.30	213	8.38	254	10.00	291	11.50	313	12.30
Radius	25	0.98	33	1.28	41	1.62	45	1.78	50	1.96
Width 1	51	2.01	67	2.64	82	3.22	92	3.61	100	3.94
Width 2	72	2.81	93	3.67	116	4.55	128	5.05	137	5.38
Width 3	118	4.63	149	5.85	175	6.89	204	8.03	225	8.86

Note : • All tool weights include Couplers, Swivels, Reaction Arm and Internal Oil.