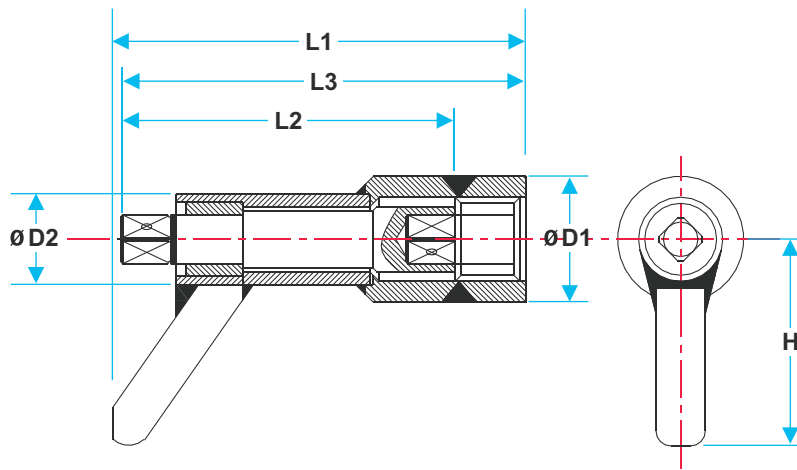


PTW SERIES ACCESSORIES

Wheel Extension



Wheel extensions are used to reach the wheel hub bolts and nuts, where fitment of tool is not feasible. Powermaster has complete range of wheel extensions as referred below :



Technical Specifications

Model No.	Sq. Drive inch	L1 mm	L2 mm	L3 mm	D1 mm	D2 mm	H mm
PE 1206	3/4	210	150	185	70	45	100
PE 12008	3/4	260	200	235	70	45	100
PE 1210	3/4	310	250	285	70	45	100
PE 1608	1	265	200	235	70	52	100
PE 1610	1	315	250	285	70	52	100
PE 1608H	1"	265	200	235	90	60	130

Reaction Arm

Different type of reaction arms are available for variety of application. Customized reaction arm are available on requirement.

