

DYNAMO SERIES

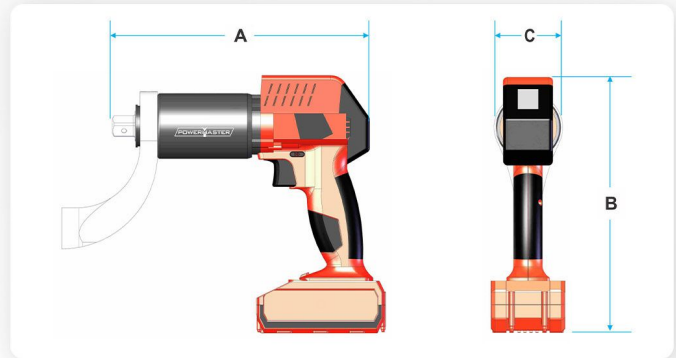
Li-ion BATTERY TORQUE WRENCHES (DIGITAL)

Torque Range 150 Nm to 4200 Nm (110 Lb.ft - 3098 Lb.ft)

The Cordless Wrench Dynamo Series is a compact design for working in limited spaces or without a power supply. Designed to master any application effortlessly, your ability to torque industrial fasteners is a simple and quick charge away. The DYNAMO's Lithium Power will provide you with the capability to torque fastenings with no hoses or cords to limit your reach. Within the DYNAMO is a digital motor vectoring system that provides accurate and repeatable torque throughout each model's full range. DYNAMO torque wrenches are easy to use, provide accurate readings and can be set to specific torque values, which is excellent for anyone looking for precision and accuracy. The Dynamo tool is the digital, cordless, and lithium-ion battery torque wrench with digital display and single increment torque settings. The color screen with keypad provides unmistakable visual LED indicator lights.

The Li-ion Battery Pack supplies power to the tool; for the tool to perform best, ensure the battery is fully charged and in good condition before use.

Note: The application torque, joint hardness, battery condition, age, and operating temperature will affect the actual number of torque cycles per charge.



Model No.	A (mm)	B (mm)	C (mm)
DYNAMO - 50	270	285	75
DYNAMO - 100	290	285	75
DYNAMO - 200	325	285	90
DYNAMO - 300	340	285	90

Caution

- Only use the li-ion battery pack with the tool system. Using third-party batteries may damage the tool system.
- Keep the li-ion battery pack away from any metal objects. If the battery terminals are connected by a metal object, the battery will short and cause damage to the battery and injury to the operator.

Features

- Hardened alloy steel for durability and long cycle life.
- Multi-stage planetary gear systems with optimized tooth design.
- Smooth rotation of the gearbox housing independent from the Drive handle.
- High-Efficiency Brushless Motor. • Ergonomic glass-filled Nylon handle with a durable slip-resistant over mold.
- 18V Li-ion Battery that provides extended run-time.
- The color screen with user friendly keypad for setting Torque.
- Bearing between stages isolates the Drive when used in all orientations.

Heavy Duty gear assembly train with precision gear tooth profile for smooth, reliable and accurate operation.

Control Unit to set desired torque value.



Single trigger for Operating the tool.

Shifter for forward/Reverse Driver.

Long Lasting Li-ion 18V Battery

Technical Specification

Model No.	Min. Torque		Max. Torque		Free Speed rpm	Square Size inch	Weight Kg.
	Lb.ft	Nm	Lb.ft	Nm			
DYNAMO-50	110	150	479	650	25	3/4	6.7
DYNAMO-100	221	300	1106	1500	4	1	7.1
DYNAMO-200	553	750	2212	3000	2.3	1	9.7
DYNAMO-300	811	1100	3097	4200	1.6	1.1/2	14.2

DYNAMO SERIES

Li-ion BATTERY TORQUE WRENCHES (DIGITAL)



Low running costs: The low-wear, synchronous motor is maintenance free.

Health-preserving: Low weight, ergonomically designed, low noise emissions. No noise protection necessary.

High performance: Two lithium-ion battery packs. Each battery features an LED charge level indicator.

Exact shut-off torque even at low battery levels.



Digital Control Unit

DYNAMO-100 is used where access is limited.

