

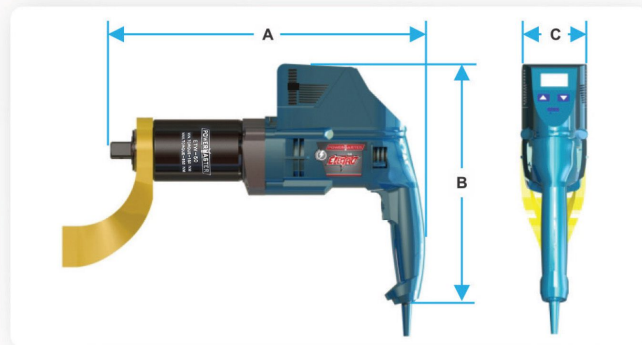
# ELECTRO ETW-S SERIES

## ELECTRIC TORQUE WRENCH WITH DATA LOGGING

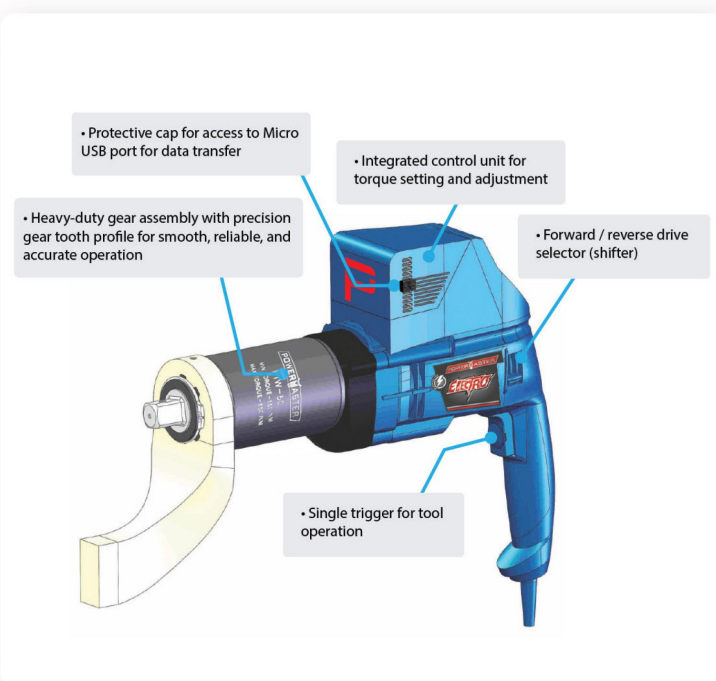
### Complete Torque Traceability - Built Into the Tool

The ETW-S Smart Electric Torque Wrench is a handheld, non-impact, electrically driven tool designed for precise and controlled torque application. Featuring a digital interface with an LCD display, it enables easy and accurate torque setting, with capacities up to 4200 Nm.

An integrated control unit allows fine torque adjustments, ensuring consistent and repeatable performance. The ETW-S series further enhances functionality with built-in data logging, enabling users to record and retrieve tightening data for improved traceability and operational efficiency.



Model No.	A (mm)	B (mm)	C (mm)
ETW-S - 50	380	270	85
ETW-S - 100	394	270	85
ETW-S - 200	445	270	90
ETW-S - 300	465	270	90



### APPLICATION BENEFITS

- Improved process visibility through recorded tightening data
- Simplified documentation and record management
- Reduced manual errors in tightening operations
- Enhanced productivity through efficient torque control

### Features

- Soft start for smooth, controlled operation
- Automatic shut-off upon reaching the set torque
- Dedicated SET and RUN modes to prevent accidental operation
- Digital torque setting with precise increment and decrement control
- Automatic data logging of each tightening cycle
- Wireless data access via Wi-Fi through a browser-based interface
- USB connectivity for direct and reliable data transfer

### Technical Specification

Model No.	Min. Torque		Max. Torque		Free Speed rpm	Square Size inch	Weight with Reaction Arm Kg.
	Lb.ft	Nm	Lb.ft	Nm			
ETW-S - 50	110	150	479	650	25	3/4	7.2
ETW-S - 100	221	300	1106	1500	4	1	7.6
ETW-S - 200	553	750	2212	3000	2.3	1	10.0
ETW-S - 300	811	1100	3097	4200	1.6	1.1/2	13.0

# ELECTRO ETW-S SERIES ELECTRIC TORQUE WRENCH WITH DATA LOGGING



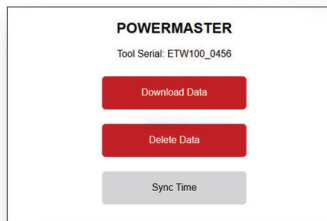
Sr. No.	Part Description
A	LCD Display
B	Set / Run Button
C	Set Mode Led
D	Run Mode Led
E	Trip Led
F	Up Button
G	Down Button

Up and Down buttons are used for torque setting and menu navigation.

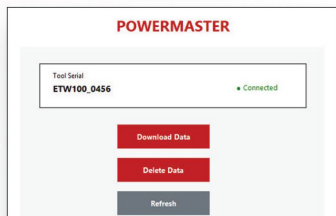
**A practical and efficient solution for torque data recording, designed for real industrial environments.**



**TOOL DISPLAY INTERFACE**  
Torque setting and data menu accessible on the tool display



**WI-FI WEB INTERFACE**  
Wireless access to tightening data through a web-based interface



**PC SOFTWARE INTERFACE**  
Dedicated POWERMASTER software for accessing tightening data

Tool Serial Number	Cycle Number	Date	Time	Set Torque (Nm)	Achieved Torque (Nm)
ETW100_0456	1	03/21/2018	9:15:12	50	51
ETW100_0456	2	03/21/2018	9:16:03	50	52
ETW100_0456	3	03/21/2018	9:16:48	50	55
ETW100_0456	4	03/21/2018	9:17:30	50	54
ETW100_0456	5	03/21/2018	9:18:10	50	53
ETW100_0456	6	03/21/2018	9:18:55	50	51
ETW100_0456	7	03/21/2018	10:09:22	60	65
ETW100_0456	2	03/21/2018	10:09:10	60	63
ETW100_0456	3	03/21/2018	10:06:58	60	61
ETW100_0456	4	03/21/2018	10:07:40	60	62
ETW100_0456	5	03/21/2018	10:08:29	60	64
ETW100_0456	6	03/21/2018	10:09:05	60	61
ETW100_0456	7	03/21/2018	10:09:50	60	63
ETW100_0456	1	03/22/2018	8:45:10	75	77
ETW100_0456	2	03/22/2018	8:46:02	75	77
ETW100_0456	3	03/22/2018	8:46:48	75	79
ETW100_0456	4	03/22/2018	8:47:35	75	77
ETW100_0456	5	03/22/2018	8:48:20	75	78
ETW100_0456	6	03/22/2018	8:49:05	75	77

**DATA (CSV FORMAT)**  
Tightening data available in CSV format for analysis and reporting