

HYDRAULIC VERTICAL LIFTING WEDGE HVW-10



The HVW-10 has been developed as an easy to use / cost effective way to find solutions to heavy lifting where minimal clearance is available. It will lift objects vertically where an access gap of 3/8"(9.5mm) or more is available. The HVW-10 will lift an object fast, secure and safe with a lifting force of 16 Tons per tool. Multiple units can be used if greater lifting force is needed.

The Most Practical/Safe Option :

The HVW-10 can be used for :

- | | |
|--|---|
| <ul style="list-style-type: none"> • Lifting Heavy Machinery • Equipment Installation • Plant Maintenance | <ul style="list-style-type: none"> • Equipment Alignment • Assisting with Toe Jack Access |
|--|---|

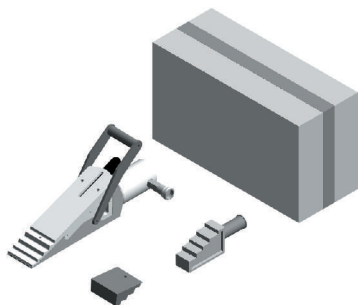
Special Features :

- Access gap of only 3/8"(9.5mm) needed
- 3/4"(19.0mm) of vertical lift available from each step
- Max. height of 50mm on 4th step
- Automatic spring return retraction.
- Interlocking first step ensures safe hold.
- No Slippage due to locking.
- Will lift in a straight vertical place.

Operating Benefits :

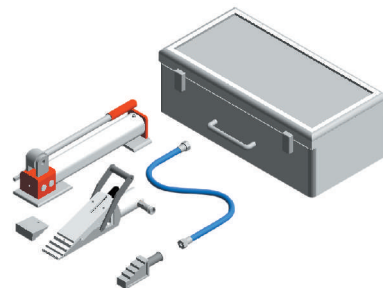
- Time / Cost Savings
- Lowest Weight / Lifting Force Ratio.
- Precise
- Easy to set up and use.
- Safe
- Minimal Maintenance
- Fast for labour & time savings
- Use multiple units for greater lifting

Kit Options :



Mini Kit

- 1 x Hydraulic Vertical Lifting Wedge Assembly
- 1 x Safety Block
- 1 x Stepped Block
- 1 x Instruction Manual
- 1 x Carry Case



Standard Kit

- 1 x Hydraulic Vertical Lifting Wedge Assembly
- 1 x 10,000 psi (700 Bar) Two Stage Hydraulic Hand Pump
- 1 x 10,000 psi (700 Bar) Hydraulic Hose Length 6 feet
- 1 x Safety Block
- 1 x Stepped Block
- 1 x Instruction Manual
- 1 x Carry Case