

PSD SERIES SPECIFICATIONS



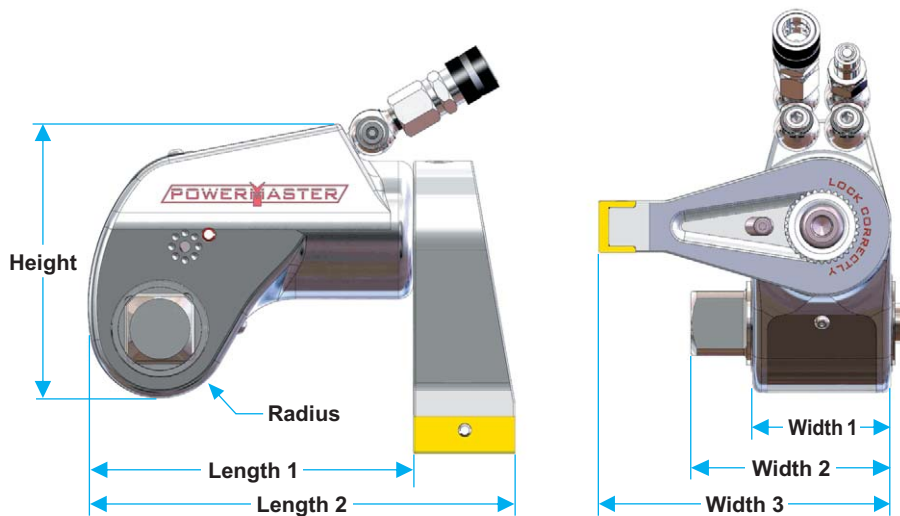
Simply...
The Most Advanced Wrench Ever Produced

- Faster Stroke!
- Anti-Back Lash Mechanism!
- Hands-Off Operation!
- Less Moving Parts!
- Unique Design to Fit Every Application!
- Accurate Repeatability!

Are only a few of the Improvements that Powermaster has brought to the Industry!

Technical

Model No.		PSD-0.75	PSD-1	PSD-2	PSD-3	PSD-5	PSD-7	PSD-11	PSD-15	PSD-20	PSD-27	PSD-60	PSD-100
Square Drive		3/4"	3/4"	3/4"	1"	1.1/2"	1.1/2"	1.1/2"	2.1/2"	2.1/2"	2.1/2"	2.1/2"	3.1/2"
Min. Torque	Kg-m	10	13	18	45	78	102	162	204	268	375	802	1390
	(Ft/Lbs)	(72)	(94)	(132)	(330)	(565)	(740)	(1,174)	(1,475)	(1,940)	(2,720)	(5,800)	(10,053)
Max. Torque	Kg-m	106	126	183	460	774	1020	1612	2040	2852	3762	8020	13900
	(Ft/Lbs)	(766)	(911)	(1,325)	(3,330)	(5,600)	(7,400)	(11,659)	(14,755)	(20,625)	(27,200)	(58,000)	(100,538)
Output Accuracy		+/-3%	+/-3%	+/-3%	+/-3%	+/-3%	+/-3%	+/-3%	+/-3%	+/-3%	+/-3%	+/-3%	+/-3%
Repeatability		100%	100%	100%	100%	100%	100%	100%	100%	100%	100%	100%	100%
Duty Cycle		100%	100%	100%	100%	100%	100%	100%	100%	100%	100%	100%	100%
Tool Weight	Kgs	1.0	1.25	2.50	4.20	8.40	8.90	13.6	22.0	28.5	32.7	60.8	109
	(Lbs)	(2.20)	(2.75)	(5.80)	(9.30)	(18.60)	(19.60)	(30.00)	(48.50)	(62.70)	(72.00)	(133.70)	(240.00)

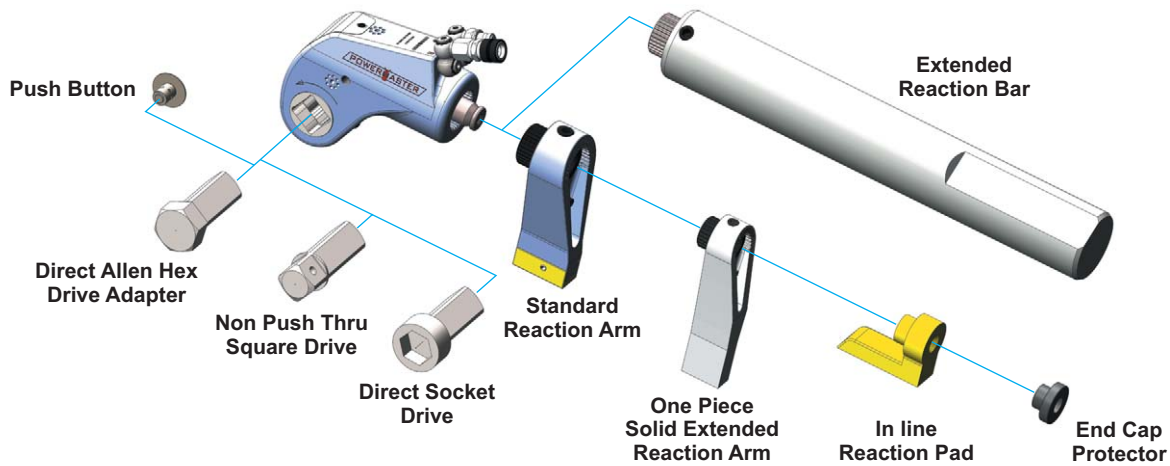


Dimensions

Model No.	PSD-0.75		PSD-1		PSD-2		PSD-3		PSD-5		PSD-7		PSD-11		PSD-15		PSD-20		PSD-27		PSD-60		PSD-100	
	mm	inch	mm	inch	mm	inch	mm	inch	mm	inch	mm	inch	mm	inch	mm	inch	mm	inch	mm	inch	mm	inch	mm	inch
Height	78	3	88	3.5	105	4.15	135	5.3	163	6.4	182	7.17	198	7.81	232	9.15	237	9.35	259	10.2	292	11.5	349	13.7
Length 1	120	4.75	94	3.7	121	4.76	153	6.02	194	7.62	208	8.2	227	8.95	295	11.6	274	10.8	294	11.6	367	14.5	469	18.5
Length 2	91.5	3.6	123	4.8	160	6.3	213	8.38	254	10	291	11.5	313	12.3	373	14.7	390	15.3	415	16.4	522	20.6	619	24.4
Radius	18.7	0.74	20	0.78	25	0.98	33	1.28	41	1.62	45	1.78	50	1.96	58.7	2.3	58	2.29	63	2.46	79	3.1	95	3.74
Width 1	40	1.57	42	1.65	51	2.01	67	2.64	82	3.22	92	3.61	100	3.94	100	3.93	124	4.86	134	5.28	167	6.58	200	7.87
Width 2	52.6	2	65	2.55	72	2.81	93	3.67	116	4.55	128	5.05	137	5.38	158	6.2	183	7.19	194	7.65	226	8.9	260	10.3
Width 3	86.7	3.4	87	3.43	118	4.63	149	5.85	175	6.89	204	8.03	225	8.86	252	9.93	275	10.8	293	11.5	372	14.6	412	16.2

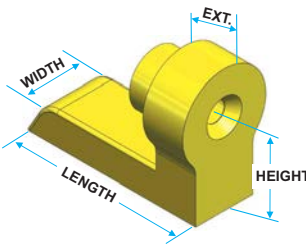
Note : All tool weights include Couplers, Swivels, Reaction Arm and Internal Oil.

PSD SERIES ACCESSORIES



In line Reaction Pad

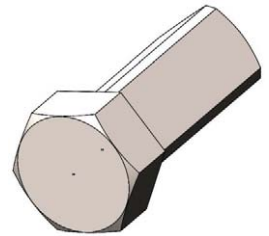
Tool Model	Length	Height	Width	Ext.
PSD-0.75	2.00	1.31	0.92	0.50
PSD-1	2.00	1.31	0.92	0.50
PSD-2	3.55	1.65	1.13	0.83
PSD-3	4.50	2.15	1.52	1.09
PSD-5	5.10	2.45	1.85	1.33
PSD-7	6.25	2.90	2.05	1.65
PSD-11	6.85	3.26	2.24	1.96
PSD-15	7.20	3.75	2.45	2.20
PSD-20	9.05	4.13	3.14	3.00
PSD-27	8.85	4.33	2.30	2.75
PSD-60	10.62	5.51	4.00	3.54



• All Dimensions are in inches.

Direct Allen Hex Drive Adapter

Tool Model	Direct Allen Hex Drive Adaptor Model
PSD-0.75	APSD-0.75-11 (Specify A/F Size)
PSD-1	APSD-1-11 (Specify A/F Size)
PSD-2	APSD-2-11 (Specify A/F Size)
PSD-3	APSD-3-11 (Specify A/F Size)
PSD-5	APSD-5-11 (Specify A/F Size)
PSD-7	APSD-7-11 (Specify A/F Size)
PSD-11	APSD-11-11 (Specify A/F Size)
PSD-15	APSD-15-11 (Specify A/F Size)
PSD-20	APSD-20-11 (Specify A/F Size)
PSD-27	APSD-27-11 (Specify A/F Size)
PSD-60	APSD-60-11 (Specify A/F Size)



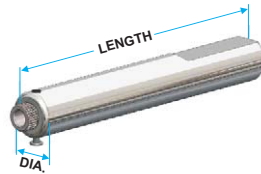
Non Push Thru Square Drive

Tool Model	Non Push Thru Square Drive Model
PSD-0.75	APSD-0.75-NPSD
PSD-1	APSD-1-NPSD
PSD-2	APSD-2-NPSD
PSD-3	APSD-3-NPSD
PSD-5	APSD-5-NPSD
PSD-7	APSD-7-NPSD
PSD-11	APSD-11-NPSD
PSD-15	APSD-15-NPSD
PSD-20	APSD-20-NPSD
PSD-27	APSD-27-NPSD
PSD-60	APSD-60-NPSD



Extended Reaction Tube

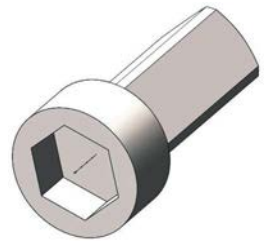
Tool Model	Extended Reaction Tube Model	Dia.	Length
PSD-0.75	APSD-0.75-03-ERT	1.65	13.77
PSD-1	APSD-1-03-ERT	1.65	13.77
PSD-2	APSD-2-03-ERT	2.00	18.57
PSD-3	APSD-3-03-ERT	2.63	23.75
PSD-5	APSD-5-03-ERT	3.00	22.50
PSD-7	APSD-7-03-ERT	3.50	23.00
PSD-11	APSD-11-03-ERT	3.75	25.10
PSD-15	APSD-20-03-ERT	4.00	22.50
PSD-20	APSD-20-03-ERT	4.00	21.65
PSD-27	APSD-27-03-ERT	5.00	16.50
PSD-60	APSD-60-03-ERT	6.00	14.00



• All Dimensions are in inches.

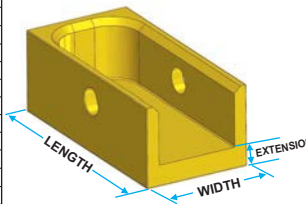
Direct Socket Drive

Tool Model	Direct Socket Drive Model
PSD-0.75	APSD-0.75-DS
PSD-1	APSD-1-DS
PSD-2	APSD-2-DS
PSD-3	APSD-3-DS
PSD-5	APSD-5-DS
PSD-7	APSD-7-DS
PSD-11	APSD-11-DS
PSD-15	APSD-15-DS
PSD-20	APSD-20-DS
PSD-27	APSD-27-DS
PSD-60	APSD-60-DS



Extension Boot

Part No.	Ext.	Length	Width
APSD0.75-03-EXT1	1.00	1.133	0.75
APSD0.75-03-EXT2	2.00		
APSD0.75-03-EXT3	3.00		
APSD1-03-EXT1	1.00	1.133	0.75
APSD1-03-EXT2	2.00		
APSD1-03-EXT3	3.00		
APSD2-03-EXT1	1.00	1.520	1.00
APSD2-03-EXT2	2.00		
APSD2-03-EXT3	3.00		
APSD3-03-EXT1	1.00	2.000	1.25
APSD3-03-EXT2	2.00		
APSD3-03-EXT3	3.00		
APSD5-03-EXT1	1.00	2.741	2.00
APSD5-03-EXT2	2.00		
APSD5-03-EXT3	3.00		
APSD7-03-EXT1	1.00	2.741	1.75
APSD7-03-EXT2	2.00		
APSD7-03-EXT3	3.00		
APSD11-03-EXT1	1.00	3.000	2.00
APSD11-03-EXT2	2.00		
APSD11-03-EXT3	3.00		
APSD15-03-EXT1	1.00	3.11	2.32
APSD15-03-EXT2	2.00		
APSD15-03-EXT3	3.00		
APSD20-03-EXT1	1.00	4.17	2.50
APSD20-03-EXT2	2.00		
APSD20-03-EXT3	3.00		
APSD27-03-EXT1	1.00	4.000	2.50
APSD27-03-EXT2	2.00		
APSD27-03-EXT3	3.00		
APSD60-03-EXT1	1.00	5.11	3.5
APSD60-03-EXT2	2.00		
APSD60-03-EXT3	3.00		



• All Dimensions are in inches. • PSD-100: Parts available on request.

End Cap Protector

Tool Model	End Cap Protector Model
PSD-0.75	APSD-0.75-EC
PSD-1	APSD-1-EC
PSD-2	APSD-2-EC
PSD-3	APSD-3-EC
PSD-5	APSD-5-EC
PSD-7	APSD-7-EC
PSD-11	APSD-11-EC
PSD-15	APSD-15-EC
PSD-20	APSD-20-EC
PSD-27	APSD-27-EC
PSD-60	APSD-60-EC



Types of Reaction Arms



PSD SERIES FEATURES

PSD Square Drive - The Performance Guaranteed!







▲ PSD-7 *Torques the Nut in Seconds!*



◀ PSD-3 *Bolt tightening of Centrifugal pump casing*

The Multi - Faceted PSD Series is the preferred tool of choice on applications in every industry. From Petrochemical Plants, Steel Plants, Offshore Platforms and the windmill industry, the PSD series is the most versatile tool that outperforms all the others!

<p>Mono Body Housing: Highest quality aircraft grade 7075T6 Aluminum housing for unrivalled strength.</p>		<p>360 Swivels: Dual 360° Swivel allows free 360° individual movement of duplex hoses across all applications.</p>	
<p>Multi Tooth Ratchet Assembly: Highest strength teeth ensures 27° torque stroke with greatest accuracy.</p>		<p>Non-drip Quick Connects Couplers: 4:1 safety ratio couplers. Assure safe operation with ease for engaging and disengaging of hoses.</p>	
<p>Square Drive: "Push through" Square Drive that easily pushes through to switch from loosens to tighten.</p>		<p>Anti Backlash Mechanism: Allows hands free working.</p>	
<p>Laser Engraved Torque Chart: Laser engraved shroud for on the spot Torque chart viewing.</p>		<p>Drive Plate: Single piece high strength alloy drive plate for maximum life. Allows small nose radius for the tool.</p>	
<p>Piston Assembly: Smooth leak proof functioning of enclosed alloy steel piston provides required torque. Uses a single seal for maximum maintenance free operation.</p>		<p>Direct Housing Reaction: Allows use without reaction arm</p>	
<p>Boot: Replaceable pad allowing on site change over. Protects costly replacement of reaction arm.</p>		<p>Reaction Arm Release Button: Housed within the reaction arm.</p>	
<p>Reaction Arm: Long Length Reaction Arm allows multi positioning. Allows taking reaction on most applications.</p>		<p>Drive Segment: Ensures tool will never lock up.</p>	

PSD-EXT SERIES SPECIFICATIONS



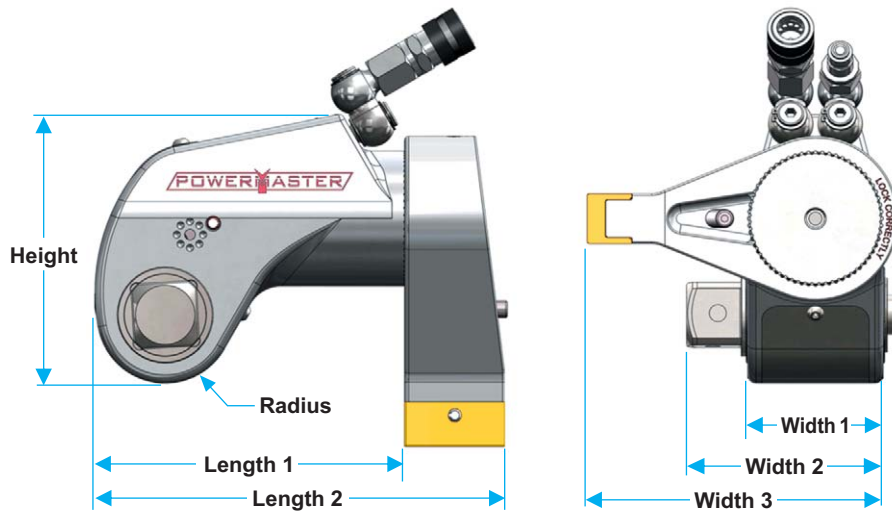
Simply...
The Most Advanced Wrench Ever Produced

- Faster Stroke!
- Anti-Back Lash Mechanism!
- Hands-Off Operation!
- Less Moving Parts!
- Unique Design to Fit Every Application!
- Accurate Repeatability!

The PSD-EXT series has the same features as the PSD series with the exception of having the splines on the outside of the tool body Vs on the inside for the PSD series.

Technical

Model No.	PSD-EXT 2	PSD-EXT 3	PSD-EXT 5	PSD-EXT 7	PSD-EXT 11
Square Drive	3/4"	1"	1.1/2"	1.1/2"	1.1/2"
Min. Torque Kg-m(Ft/Lbs)	18 (132)	45 (330)	78 (565)	102 (740)	162 (1,174)
Max. Torque Kg-m(Ft/Lbs)	183 (1,325)	460 (3,330)	774 (5,600)	1,020 (7,400)	1,612 (11,659)
Output Accuracy	+/-3%	+/-3%	+/-3%	+/-3%	+/-3%
Repeatability	100%	100%	100%	100%	100%
Duty Cycle	100%	100%	100%	100%	100%
Tool Weight Kgs/(Lbs)	2.64 / (5.82)	5.00 / (11.02)	8.40 / (18.60)	12.70 / (28.00)	15.80 / (34.80)



Dimensions

Model No.	PSD-EXT 2		PSD-EXT 3		PSD-EXT 5		PSD-EXT 7		PSD-EXT 11	
	mm	inch	mm	inch	mm	inch	mm	inch	mm	inch
Height	105.32	4.15	134.50	5.30	161.60	6.36	182.20	7.17	198.35	7.81
Length 1	112.43	4.43	152.80	6.02	181.58	7.15	208.43	8.20	227.35	8.95
Length 2	160.43	6.30	212.80	8.38	251.76	9.91	290.93	11.45	313.33	12.33
Radius	24.89	0.98	32.50	1.28	41.27	1.62	45.20	1.78	49.88	1.96
Width 1	51.00	2.01	67.00	2.64	79.40	3.13	91.80	3.61	100.00	3.94
Width 2	68.82	2.71	93.27	3.67	111.20	4.38	128.35	5.05	136.80	5.38
Width 3	117.55	4.63	148.70	5.85	175.10	6.89	203.90	8.03	225.00	8.86

PSD-UNISWIVEL SERIES SPECIFICATIONS



Simply...

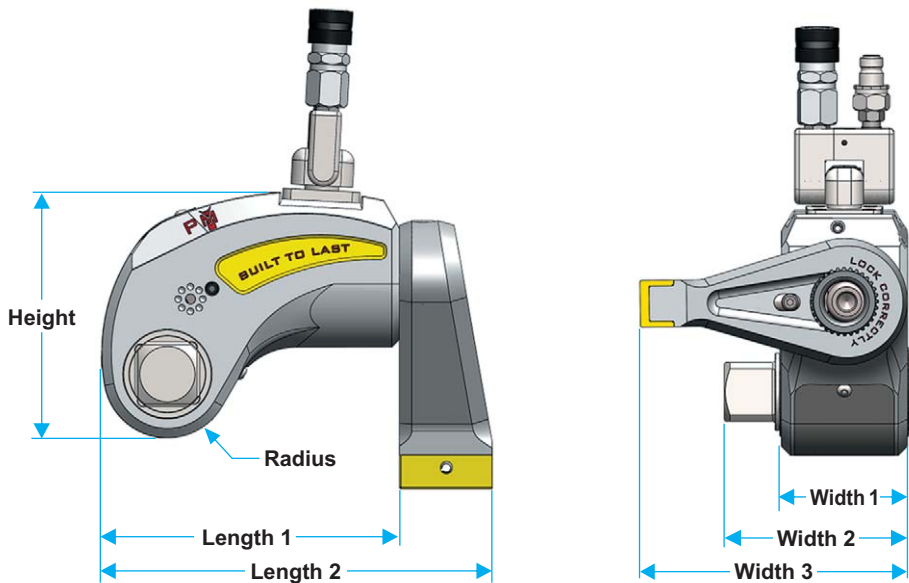
The Most Advanced Wrench Ever Produced

- Faster Stroke!
- Curve Stunning Design
- Hands-Off Operation!
- Unique Design to Fit Every Application!
- A Slim Line Design offering unprecedented degree of Freedom!
- Less Moving Parts!
- 360° x 180° Uniswivel design
- Accurate Repeatability!

Are only a few of the Improvements that Powermaster has brought to the Industry!

Technical

Model No.	UNS-2	UNS-3	UNS-5	UNS-7	UNS-11
Square Drive	3/4"	1"	1.1/2"	1.1/2"	1.1/2"
Min. Torque Kg-m(Ft/Lbs)	18 (132)	45 (330)	77 (560)	102 (740)	162 (1,174)
Max. Torque Kg-m(Ft/Lbs)	183 (1,325)	460 (3,330)	770 (5,600)	1,020 (7,400)	1612 (11,659)
Output Accuracy	+/-3%	+/-3%	+/-3%	+/-3%	+/-3%
Repeatability	100%	100%	100%	100%	100%
Duty Cycle	100%	100%	100%	100%	100%
Tool Weight Kgs/(Lbs)	1.80 / (3.96)	4.16 / (9.17)	8.90 / (19.60)	9.40 / (20.70)	14.00 / (30.80)



Dimensions

Model No.	UNS-2		UNS-3		UNS-5		UNS-7		UNS-11	
	mm	inch	mm	inch	mm	inch	mm	inch	mm	inch
Height	102.00	4.01	129.00	5.07	160.00	6.30	179.00	7.04	195.00	7.67
Length 1	121.00	4.76	153.00	6.02	194.00	7.62	208.00	8.20	227.00	8.95
Length 2	160.00	6.30	213.00	8.38	254.00	10.00	291.00	11.50	313.00	12.30
Radius	25.00	0.98	33.00	1.28	41.00	1.62	45.00	1.78	50.00	1.96
Width 1	51.00	2.01	67.00	2.64	82.00	3.22	92.00	3.61	100.00	3.94
Width 2	72.00	2.81	93.00	3.67	116.00	4.55	128.00	5.05	137.00	5.38
Width 3	118.00	4.63	149.00	5.85	175.00	6.89	204.00	8.03	225.00	8.86

EVOQ SERIES SPECIFICATIONS

The Largest Choice of
Hydraulic Wrenches just got better....



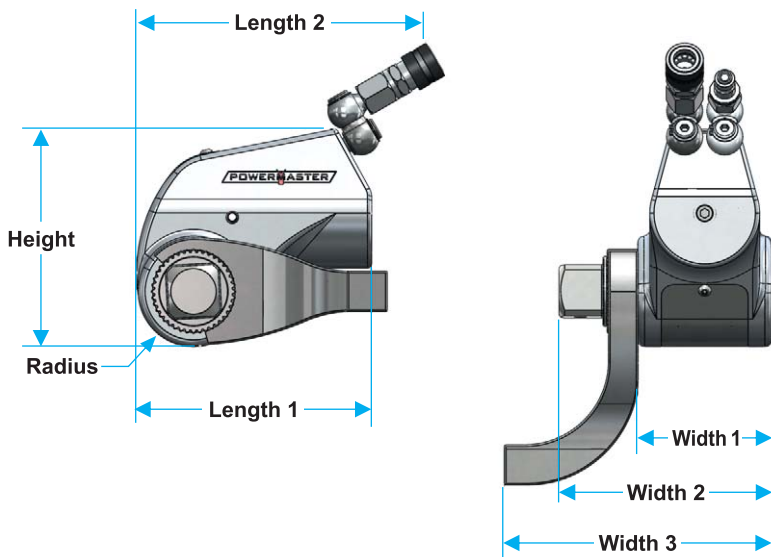
- In Line Reaction Arm!
- Hands-Off Operation!
- Faster Stroke!
- Less Moving Parts!
- Anti-Back Lash Mechanism!
- Universal Design to Fit Every Application!
- Accurate Repeatability!

The EVOQ series wrenches have similar features to the PSD series wrenches but with the additional advantage of having an “Inline to square drive” reaction arm which prevents torsional twisting load on the body of the hydraulic wrench that happens with conventional hydraulic wrenches.

Technical

Model No.	EV-2	EV-3	EV-5	EV-7	EV-11
Square Drive	3/4"	1"	1.1/2"	1.1/2"	1.1/2"
Min. Torque Kg-m(Ft/Lbs)	18 (132)	45 (330)	77 (560)	102 (740)	162 (1,174)
Max. Torque Kg-m(Ft/Lbs)	183 (1,325)	460 (3,330)	770 (5,600)	1,020 (7,400)	1,612 (11,659)
Output Accuracy	+/-3%	+/-3%	+/-3%	+/-3%	+/-3%
Repeatability	100%	100%	100%	100%	100%
Duty Cycle	100%	100%	100%	100%	100%
Tool Weight Kgs/(Lbs)	1.77 / (3.90)	4.09 / (9.00)	8.85 / (19.50)	13.50 / (29.60)	16.80 / (37.10)

Easy change over of Square Drive from loosen to tighten.



Dimensions

Model No.	EV-2		EV-3		EV-5		EV-7		EV-11	
	mm	inch	mm	inch	mm	inch	mm	inch	mm	inch
Height	104.60	4.12	134.50	5.29	162.30	6.40	182.20	7.17	198.35	7.81
Length 1	109.00	4.30	148.80	5.85	176.00	6.93	208.43	8.20	227.35	8.95
Length 2	170.90	6.72	209.00	8.22	216.70	8.53	290.93	11.45	313.33	12.33
Radius	25.00	0.98	32.50	1.27	41.28	1.62	45.20	1.78	49.88	1.96
Width 1	66.00	2.59	82.80	3.25	100.00	3.93	116.80	4.60	125.00	4.92
Width 2	101.00	3.97	123.30	4.85	159.00	6.25	177.20	6.97	186.30	7.33
Width 3	141.00	5.55	183.00	7.20	200.00	7.87	218.00	8.58	250.70	9.87

PXD SERIES SPECIFICATIONS



Simply...

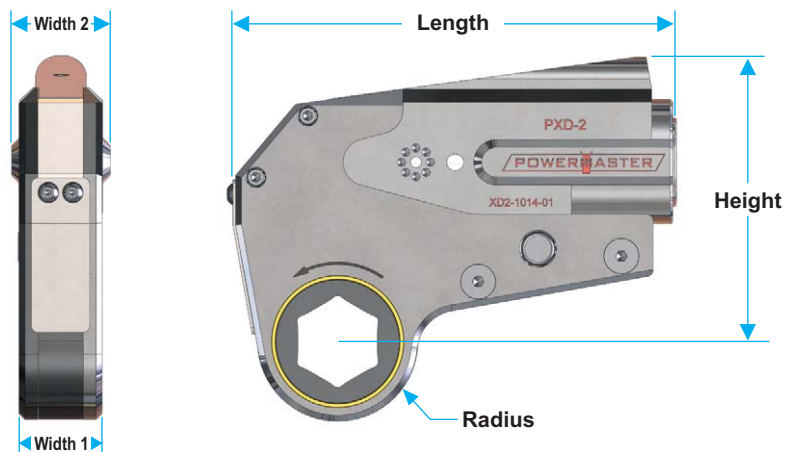
The Flattest Hydraulic Wrench Ever Produced

- Flat Design from Cylinder to Link!
- Unique Shaped Piston!
- Direct Flow Oil Distribution for Faster Stroke!
- Less Moving Parts!
- Accurate Repeatability!
- Hands-Off Operation!

Are only a few of the reasons why the Powermaster PXD is the only tool of its kind!

Technical

Model No.	PXD-0.75	PXD-1	PXD-1.5	PXD-2	PXD-4	PXD-8	PXD-16	PXD-32	PXD-45
Tool Hex from	13mm/ 1/2"	13mm/ 1/2"	19mm/ 3/4"	19mm/ 3/4"	25mm/1"	50mm/1.7/8"	65mm/2.5/8"	80mm/3.1/8"	80mm/3.1/8"
to	41mm/1.5/8"	46mm/1.13/16"	46mm/1.13/16"	65mm/2.9/16"	80mm/3.1/8"	115mm/4.5/8"	135mm/5.5/16"	205mm/8"	205mm/8"
Min. Torque Kg-m (Ft/Lbs)	5.6(41)	6(45)	10(70)	25(181)	55(398)	110(798)	212(1,533)	436(3,156)	562(4,066)
Max. Torque Kg-m (Ft/Lbs)	68(490)	93(673)	137(995)	293(2,120)	620(4485)	1,473(10,654)	2,438(17,624)	4,889(35,340)	6,550(47,347)
Output Accuracy	+/- 3%	+/- 3%	+/- 3%	+/- 3%	+/- 3%	+/- 3%	+/- 3%	+/- 3%	+/- 3%
Repeatability	100%	100%	100%	100%	100%	100%	100%	100%	100%
Duty Cycle	100%	100%	100%	100%	100%	100%	100%	100%	100%
Corrosion Protection	Standard								
Cylinder Weight Kgs / (Lbs)	0.38/(0.84)	0.50/(1)	0.55/(1.2)	1.59/(3.50)	2.73/(6.00)	5.32/(11.70)	7.27/(16.00)	11.82/(26.00)	13.7/(30.2)
Link Weight from Kgs / (Lbs)	0.47/(1)	0.50/(1)	0.60/(1.3)	1.09/(2.40)	2.45/(5.40)	5.41/(11.90)	9.55/(21.00)	13.18/(29.00)	13.18/(29.00)
to Kgs / (Lbs)	0.47/(1)	0.50/(1)	0.90/(2.0)	1.59/(3.50)	3.45/(7.60)	6.59/(14.50)	12.73/(2.00)	17.95/(39.50)	17.95/(39.50)

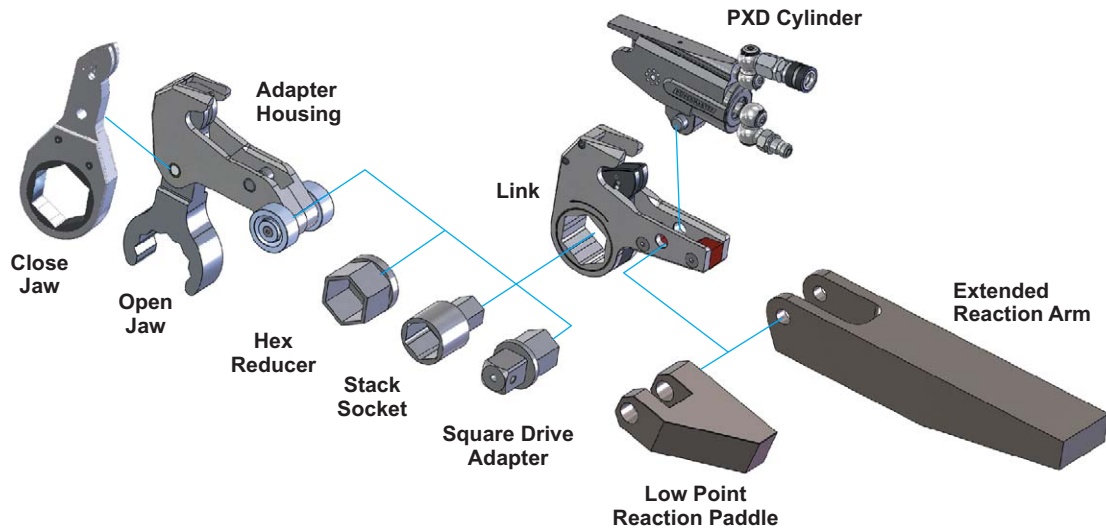


Dimensions

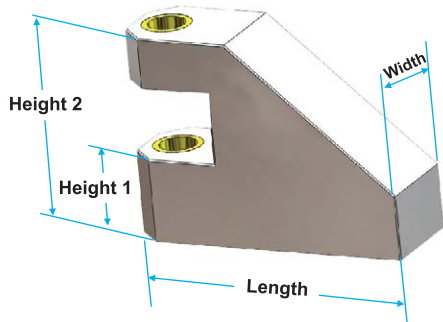
Model No.	PXD-0.75		PXD-1		PXD-1.5		PXD-2		PXD-4		PXD-8		PXD-16		PXD-32		PXD-45	
	mm	inch	mm	inch	mm	inch	mm	inch	mm	inch	mm	inch	mm	inch	mm	inch	mm	inch
Length	108.00	4.25	111.00	4.37	107.00	4.20	167.00	6.57	203.20	8.00	253.00	9.96	330.00	13.00	390.00	15.35	450.00	17.71
Height	82.60	3.25	82.60	3.25	87.00	3.40	103.00	4.05	144.00	5.66	179.50	7.06	193.80	7.63	278.00	10.94	278.00	10.94
Width 1	18.00	0.70	20.40	0.80	28.00	1.10	31.80	1.25	41.80	1.64	52.40	2.06	64.00	2.51	82.35	3.24	82.35	3.24
Width 2	18.00	0.70	24.25	0.95	28.00	1.10	38.00	1.49	47.40	1.86	58.00	2.28	70.00	2.75	92.00	3.62	124.00	4.88
Radius	5.80	0.23	5.80	0.23	7.50	0.30	9.30	0.36	11.85	0.46	13.90	0.54	16.80	0.66	23.75	0.94	23.75	0.94

Note : All tool weights include Couplers, Swivels and Internal Oil.

PXD SERIES SPECIFICATIONS



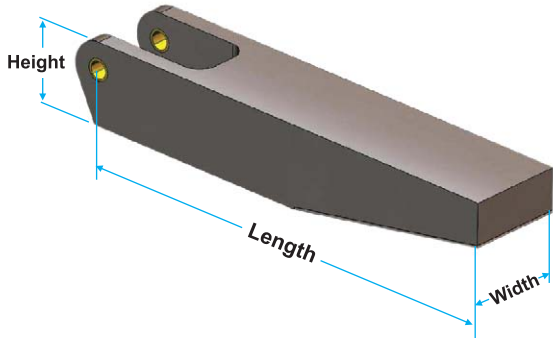
Low Point Reaction Arm



Tool Model	Low Point Reaction Arm Model	Length	Width	Height 1	Height 2
PXD-0.75	PXD-0.75-RP	2.73	0.65	0.90	1.96
PXD-1	PXD-1-RP	2.73	0.65	0.90	1.96
PXD-1.5	PXD-1.5-RP	2.73	0.65	0.80	1.96
PXD-2	PXD-2-RP	4.35	1.03	1.49	3.26
PXD-4	PXD-4-RP	5.65	1.23	2.02	4.23
PXD-8	PXD-8-RP	7.15	1.78	2.53	5.35
PXD-16	PXD-16-RP	9.05	2.51	3.04	6.36
PXD-32	PXD-32-RP	11.20	3.26	3.95	8.30
PXD-45	PXD-45-RP	11.20	3.26	3.95	8.30

• All Dimensions are in inches.

Extended Reaction Arm



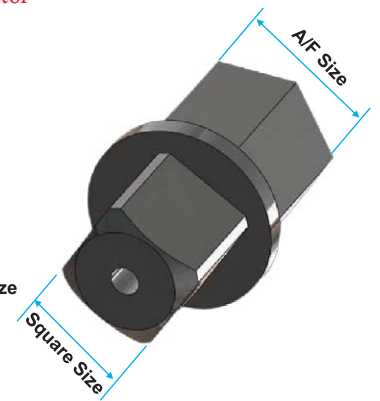
Tool Model	Extended Reaction Arm Model	Length	Height	Width
PXD-0.75	PXD-0.75-EXT	13.5	1.25	1.25
PXD-1	PXD-1-EXT	13.5	1.25	1.25
PXD-1.5	PXD-1.5-EXT	13.5	1.25	1.15
PXD-2	PXD-2-EXT	19.80	1.54	1.90
PXD-4	PXD-4-EXT	20.29	2.05	2.40
PXD-8	PXD-8-EXT	20.85	2.52	3.03
PXD-16	PXD-16-EXT	21.50	3.04	3.65
PXD-32	PXD-32-EXT	22.28	3.95	4.52
PXD-45	PXD-45-EXT	22.28	3.95	4.52

• All Dimensions are in inches.

Hex To Square Drive Adaptor

Tool Model	Hex To Square Drive Adaptor Model
PXD-0.75	AHS0.75
PXD-1	AHS1
PXD-1.5	AHS1.5
PXD-2	AHS 2
PXD-4	AHS 4
PXD-8	AHS 8
PXD-16	AHS 16
PXD-32	AHS 32
PXD-45	AHS 45

• Specify A/F size and Square size when ordering.

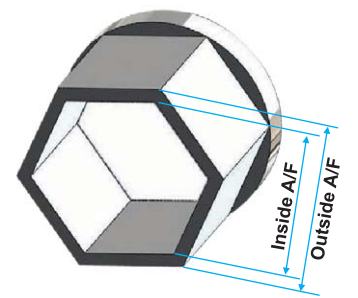


Hex Reducer

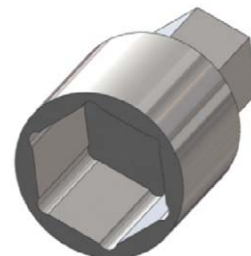
• Indicate Outside A/F, Inside A/F when ordering.

Tool Model	Hex Reducer Model
PXD-0.75	HR-0.75-##
PXD-1	HR-1-##
PXD-1.5	HR-1.5-##
PXD-2	HR-2-##
PXD-4	HR-4-##
PXD-8	HR-8-##
PXD-16	HR-16-##
PXD-32	HR-32-##
PXD-45	HR-45-##

• # - Inside and outside A/F of Hex Reducer to be specified.



Stack Socket



PXD SERIES FEATURES

PXD Low Profile - The Perfect Solution for Tight Applications!



▲
PXD-4 Speedy torquing!

- Clearance **ABOVE** The Nut - No Problem For A PXD!
- Clearance **BEHIND** The Nut - No Problem For A PXD!
- Clearance **BETWEEN** The Nut - No Problem For A PXD!

- Tensioners - Too Big To Fit!
- Multipliers - Too Big To Fit!
- Nut Runners - Too Big To Fit!
- Impact Wrenches - Too Big To Fit!
- Other Hydraulic Wrenches - Too Big To Fit!
- PXD - Perfect Fit!



PXD cylinder and link are the same width.
A Powermaster exclusive that allows a flat contact between the wrench and flange surface. ▶

<p>High Strength Body: Cylinder and Link Body are manufactured from high grade, high strength alloy.</p>		<p>Multi Tooth Ratchet Assembly: Highest strength teeth ensures 27° torque stroke with greatest accuracy.</p>	
<p>Flat Design Cylinder And Link: Equal width of cylinder and link ensures tool sits flat on flange surface. Allows use in most confined areas.</p>		<p>Never Lock Drive Segment: Never lock drive segment does not let the wrench lock and thus eliminates the requirement of a ratchet release mechanism.</p>	
<p>360 Swivels: Dual 360° Swivel allows free 360° individual movement of duplex hoses across all applications.</p>		<p>In-line Reaction Pad: This ensures torsion free reaction during use.</p>	
<p>Non-drip Quick Connects Couplers: 4:1 safety ratio couplers. Assure safe operation with ease for engaging and disengaging of hoses.</p>		<p>Sliders: Reduce friction and prevent wear on the piston.</p>	
<p>Link Pin: One simple pin for cassette link to cylinder engagement without using any additional or special tool.</p>		<p>Alignment Pins: Ensure equal load distribution between the 2 side plates.</p>	
<p>Drive Plate: Single piece high strength alloy drive plate for maximum life. Allows small nose radius for the tool.</p>		<p>Piston Seals: High temperature Polyurethane seals ensure years of maintenance free operation.</p>	

PXD SERIES HEX LINK PART NUMBERS

PXD-0.75 Link	Hex	PXD-1 Link	Hex	PXD-1.5 Link	Hex	PXD-2 Link	Hex	PXD-4 Link	Hex
Number	Size	Number	Size	Number	Size	Number	Size	Number	Size
PXD-0.75RL008	1/2"	PXD-1RL008	1/2"	PXD-1.5RL008	1/2"	PXD-2RL012M19	3/4" 19mm	PXD-4RL100	1"
PXD-0.75RL13M	13mm	PXD-1RL13M	13mm	PXD-1.5RL13M	13mm	PXD-2RL013	13/16"	PXD-4RL101M27	1-1/16" 27mm
PXD-0.75RL009	9/16"	PXD-1RL009	9/16"	PXD-1.5RL009	9/16"	PXD-2RL014M22	7/8" 22mm	PXD-4RL102	1-1/8"
PXD-0.75RL14M	14mm	PXD-1RL14M	14mm	PXD-1.5RL14M	14mm	PXD-2RL015	15/16"	PXD-4RL103M30	1-3/16" 30mm
PXD-0.75RL010	5/8"	PXD-1RL010	5/8"	PXD-1.5RL010	5/8"	PXD-2RL24M	24mm	PXD-4RL32M	32mm
PXD-0.75RL15M	15mm	PXD-1RL15M	15mm	PXD-1.5RL15M	15mm	PXD-2RL100	1"	PXD-4RL104	1-1/4"
PXD-0.75RL17M	17mm	PXD-1RL17M	17mm	PXD-1.5RL17M	17mm	PXD-2RL101M27	1-1/16" 27mm	PXD-4RL105	1-5/16"
PXD-0.75RL011"	16-Nov	PXD-1RL011"	16-Nov	PXD-1.5RL011"	16-Nov	PXD-2RL102	1-1/8"	PXD-4RL106M35	1-3/8" 35mm
PXD-0.75RL012M19	3/4" 19mm	PXD-1RL012M19	3/4" 19mm	PXD-1.5RL012M19	3/4" 19mm	PXD-2RL103M30	1-3/16" 30mm	PXD-4RL36M	36mm
PXD-0.75RL013	13/16"	PXD-1RL013	13/16"	PXD-1.5RL013	13/16"	PXD-2RL32M	32mm	PXD-4RL107	1-7/16"
PXD-0.75RL014M22	7/8" 22mm	PXD-1RL014M22	7/8" 22mm	PXD-1.5RL014M22	7/8" 22mm	PXD-2RL104	1-1/4"	PXD-4R108M38	1-1/2" 38mm
PXD-0.75RL015	15/16"	PXD-1RL015	15/16"	PXD-1.5RL015	15/16"	PXD-2RL105	1-5/16"	PXD-4R109	1-9/16"
PXD-0.75RL24M	24mm	PXD-1RL24M	24mm	PXD-1.5RL24M	24mm	PXD-2RL106M35	1-3/8" 35mm	PXD-4RL110M41	1-5/8" 41mm
PXD-0.75RL100	1"	PXD-1RL100	1"	PXD-1.5RL100	1"	PXD-2RL36M	36mm	PXD-4RL111	1-11/16"
PXD-0.75RL101M27	1-1/16" 27mm	PXD-1RL101M27	1-1/16" 27mm	PXD-1.5RL101M27	1-1/16" 27mm	PXD-2RL107	1-7/16"	PXD-4RL112	1-3/4"
PXD-0.75RL102	1-1/8"	PXD-1RL102	1-1/8"	PXD-1.5RL102	1-1/8"	PXD-2R108M38	1-1/2" 38mm	PXD-4RL113M46	1-13/16" 46mm
PXD-0.75RL103M30	1-3/16" 30mm	PXD-1RL103M30	1-3/16" 30mm	PXD-1.5RL103M30	1-3/16" 30mm	PXD-2R109	1-9/16"	PXD-4RL114	1-7/8"
PXD-0.75RL32M	32mm	PXD-1RL32M	32mm	PXD-1.5RL32M	32mm	PXD-2RL110M41	1-5/8" 41mm	PXD-4RL115M49	1-15/16" 49mm
PXD-0.75RL104	1-1/4"	PXD-1RL104	1-1/4"	PXD-1.5RL104	1-1/4"	PXD-2RL111	1-11/16"	PXD-4RL50M	50mm
PXD-0.75RL105	1-5/16"	PXD-1RL105	1-5/16"	PXD-1.5RL105	1-5/16"	PXD-2RL112	1-3/4"	PXD-4RL200	2"
PXD-0.75RL106M35	1-3/8" 35mm	PXD-1RL106M35	1-3/8" 35mm	PXD-1.5RL106M35	1-3/8" 35mm	PXD-2RL113M46	1-13/16" 46mm	PXD-4RL201	2-1/16"
PXD-0.75RL36M	36mm	PXD-1RL36M	36mm	PXD-1.5RL36M	36mm	PXD-2RL114 1-7/8"		PXD-4RL202	2-1/8"
PXD-0.75RL107	1-7/16"	PXD-1RL107	1-7/16"	PXD-1.5RL107	1-7/16"	PXD-2RL115M49	1-15/16" 49mm	PXD-4RL203M55	2-3/16" 55mm
PXD-0.75R108M38	1-1/2" 38mm	PXD-1R108M38	1-1/2" 38mm	PXD-1.5R108M38	1-1/2" 38mm	PXD-2RL50M	50mm	PXD-4RL204	2-1/4"
PXD-0.75R109	1-9/16"	PXD-1R109	1-9/16"	PXD-1.5R109	1-9/16"	PXD-2RL200	2"	PXD-4RL205	2-5/16"
PXD-0.75RL110M41	1-5/8" 41mm	PXD-1RL110M41	1-5/8" 41mm	PXD-1.5RL110M41	1-5/8" 41mm	PXD-2RL201	2-1/16"	PXD-4RL206M60	2-3/8" 60mm
		PXD-1RL111	1-11/16"	PXD-1.5RL111	1-11/16"	PXD-2RL202	2-1/8"	PXD-4RL207	2-7/16"
		PXD-1RL112	1-3/4"	PXD-1.5RL112	1-3/4"	PXD-2RL203M55	2-3/16" 55mm	PXD-4RL208	2-1/2"
		PXD-1RL113M46	1-13/16" 46mm	PXD-1.5RL113M46	1-13/16" 46mm	PXD-2RL204	2-1/4"	PXD-4RL209M65	2-9/16" 65mm
						PXD-2RL205	2-5/16"	PXD-4RL210	2-5/8"
						PXD-2RL206M60	2-3/8" 60mm	PXD-4RL211	2-11/16"
						PXD-2RL207	2-7/16"	PXD-4RL212M70	2-3/4" 70mm
						PXD-2RL208	2-1/2"	PXD-4RL213	2-13/16"
						PXD-2RL209M65	2-9/16" 65mm	PXD-4RL214	2-7/8"
								PXD-4RL215M75	2-15/16" 75mm
								PXD-4RL300	3"
								PXD-4RL301	3-1/16"
								PXD-4RL302M80	3-1/8" 80mm



Change sizes by removing single link pin

PXD SERIES HEX LINK PART NUMBERS

PXD-8 Link	Hex		PXD-16 Link	Hex		PXD-32 Link	Hex		PXD-32 Link	Hex	
Number	Size		Number	Size		Number	Size		Number	Size	
PXD-8RL114	1-7/8"		PXD-16RL209M65	2-9/16"	65mm	PXD-32RL302M80	3-1/8"	80mm	PXD-32RL514	5-7/8"	
PXD-8RL115M49	1-15/16"	49mm	PXD-16RL210	2-5/8"		PXD-32RL303	3-3/16"		PXD-32RL150M		150mm
PXD-8RL50M		50mm	PXD-16RL211	2-11/16"		PXD-32RL304	3-1/4"		PXD-32RL515	5-15/16"	
PXD-8RL200	2"		PXD-16RL212M70	2-3/4"	70mm	PXD-32RL305	3-5/16"		PXD-32RL600	6"	
PXD-8RL201	2-1/16"		PXD-16RL213	2-13/16"		PXD-32RL85M		85mm	PXD-32RL601	6-1/16"	
PXD-8RL202	2-1/8"		PXD-16RL214	2-7/8"		PXD-32RL306	3-3/8"		PXD-32RL155M		155mm
PXD-8RL203M55	2-3/16"	55mm	PXD-16RL215M75	2-15/16"	75mm	PXD-32RL307	3-7/16"		PXD-32RL602	6-1/8"	
PXD-8RL204	2-1/4"		PXD-16RL300	3"		PXD-32RL308	3-1/2"		PXD-32RL603	6-3/16"	
PXD-8RL205	2-5/16"		PXD-16RL301	3-1/16"		PXD-32RL90M		90mm	PXD-32RL604	6-1/4"	
PXD-8RL206M60	2-3/8"	60mm	PXD-16RL302M80	3-1/8"	80mm	PXD-32RL309	3-9/16"		PXD-32RL160M		160mm
PXD-8RL207	2-7/16"		PXD-16RL303	3-3/16"		PXD-32RL310	3-5/8"		PXD-32RL605	6-5/16"	
PXD-8RL208	2-1/2"		PXD-16RL304"	3-1/4"		"PXD-32RL311	3-11/16"		PXD-32RL606	6-3/8"	
PXD-8RL209M65	2-9/16"	65mm	PXD-16RL305	3-5/16"		PXD-32RL312M95	3-3/4"	95mm	PXD-32RL607	6-7/16"	
PXD-8RL210	2-5/8"		PXD-16RL85M		85mm	PXD-32RL313	3-13/16"		PXD-32RL608 M165	6-1/2"	165mm
PXD-8RL211	2-11/16"		PXD-16RL306	3-3/8"		PXD-32RL314	3-7/8"		PXD-32RL609	6-9/16"	
PXD-8RL212M70	2-3/4"	70mm	PXD-16RL307	3-7/16"		PXD-32RL315M100	3-15/16"	100mm	PXD-32RL610	6-5/8"	
PXD-8RL213	2-13/16"		PXD-16RL308	3-1/2"		PXD-32RL400	4"		PXD-32RL611M170	6-11/16"	170mm
PXD-8RL214	2-7/8"		PXD-16RL90M		90mm	PXD-32RL401	4-1/16"		PXD-32RL612	6-3/4"	
PXD-8RL215M75	2-15/16"	75mm	PXD-16RL309	3-9/16"		PXD-32RL402M105	4-1/8"	105mm	PXD-32RL613	6-13/16"	
PXD-8RL300	3"		PXD-16RL310	3-5/8"		PXD-32RL403	4-3/16"		PXD-32RL614	6-7/8"	
PXD-8RL301	3-1/16"		PXD-16RL311	3-11/16"		PXD-32RL404	4-1/4"		PXD-32RL175M		175mm
PXD-8RL302M80	3-1/8"	80mm	PXD-16RL312M95	3-3/4"	95mm	PXD-32RL405	4-5/16"		PXD-32RL 615	6-15/16"	
PXD-8RL303	3-3/16"		PXD-16RL313	3-13/16"		PXD-32RL110M		110mm	PXD-32RL700	7"	
PXD-8RL304	3-3/4"		PXD-16RL314	3-7/8"		PXD-32RL406	4-3/8"		PXD-32RL701	7-1/16"	
PXD-8RL305	3-5/16"		PXD-16RL315M100	3-15/16"	100mm	PXD-32RL407	4-7/16"		PXD-32RL180M		180mm
PXD-8RL85M	85mm		PXD-16RL400	4"		PXD-32RL408	4-1/2"		PXD-32RL702	7-1/8"	
PXD-8RL306	3-3/8"		PXD-16RL401	4-1/16"		PXD-32RL115M		115mm	PXD-32RL703	7-3/16"	
PXD-8RL307	3-7/16"		PXD-16RL402M105	4-1/8"	105mm	PXD-32RL409	4-9/16"		PXD-32RL704	7-1/4"	
PXD-8RL308	3-1/2"		PXD-16RL403	4-3/16"		PXD-32RL410	4-5/8"		PXD-32RL185M		185mm
PXD-8RL90M		90mm	PXD-16RL404	4-1/4"		PXD-32RL120M		120mm	PXD-32RL705	7-5/16"	
PXD-8RL309	3-9/16"		PXD-16RL405	4-5/16"		PXD-32RL411	4-11/16"		PXD-32RL706	7-3/8"	
PXD-8RL310	3-5/8"		PXD-16RL110M		110mm	PXD-32RL412	4-3/4"		PXD-32RL707	7-7/16"	
PXD-8RL311	3-11/16"		PXD-16RL406	4-3/8"		PXD-16RL413	4-13/16"		PXD-32RL190M		190mm
PXD-8RL312M95	3-3/4"	95mm	PXD-16RL407	4-7/16"		PXD-32RL414	4-7/8"		PXD-32RL708	7-1/2"	
PXD-8RL313	3-13/16"		PXD-16RL408	4-1/2"		PXD-32RL125M		125mm	PXD-32RL709	7-9/16"	
PXD-8RL314	3-7/8"		PXD-16RL115M		115mm	PXD-32RL415	4-15/16"		PXD-32RL710	7-5/8"	
PXD-8RL315M100	3-15/16"	100mm	PXD-16RL409	4-9/16"		PXD-32RL500	5"		PXD-32RL711M195	7-11/16"	195mm
PXD-8RL400	4"		PXD-16RL410	4-5/8"		PXD-32RL501	5-1/16"		PXD-32RL712	7-3/4"	
PXD-8RL401	4-1/16"		PXD-16RL120M		120mm	PXD-32RL502M130	5-1/8"	130mm	PXD-32RL713	7-13/16"	
PXD-8RL402M105	4-1/8"	105mm	PXD-16RL411	4-11/16"		PXD-32RL503	5-3/16"		PXD-32RL714M200	7-7/8"	200mm
PXD-8RL403	4-3/16"		PXD-16RL412	4-3/4"		PXD-32RL504	5-1/4"		PXD-32RL715	7-15/16"	
PXD-8RL404	4-1/4"		PXD-16RL413	4-13/16"		PXD-32RL505M135	5-5/16"	135mm	PXD-32RL800	8"	
PXD-8RL405	4-5/16"		PXD-16RL414	4-7/8"		PXD-32RL506	5-3/8"		PXD-32RL200M		205mm
PXD-8RL110M		110mm	PXD-16RL125M		125mm	PXD-32RL507	5-7/16"				
PXD-8RL406	4-3/8"		PXD-16RL415	4-15/16"		PXD-32RL508M140	5-1/2"	140mm			
PXD-8RL407	4-7/16"		PXD-16RL500	5"		PXD-32RL509	5-9/16"				
PXD-8RL408	4-1/2"		PXD-16RL501	5-1/16"		PXD-32RL510	5-5/8"				
PXD-8RL115M		115mm	PXD-16RL502M130	5-1/8"	130mm	PXD-32RL511	5-11/16"				
			PXD-16RL503	5-3/16"		PXD-32RL145M		145mm			
			PXD-16RL504	5-1/4"		PXD-32RL512	5-3/4"				
			PXD-16RL505M135	5-5/16"	135mm	PXD-32RL513	5-13/16"				

QUADRA-PORT SYSTEM

Quadra-Port - For Fast-Accurate-Even Bolt Loading

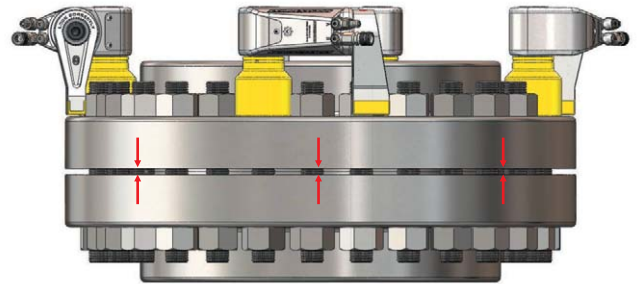
The primary focus of the Quadra-Port System is to eliminate the common “Criss-Cross” bolt tightening pattern that causes crushing or over torquing of gaskets. With the Quadra-Port System multi Powermaster hydraulic torque wrenches are utilized along with our Quadra-Port Hydraulic Pumps. Once the Powermaster wrenches are in place a single operator can apply even load at the push of a button. The Quadra-Port System will evenly close the gap and apply equal torque to $\pm 3\%$ accuracy!



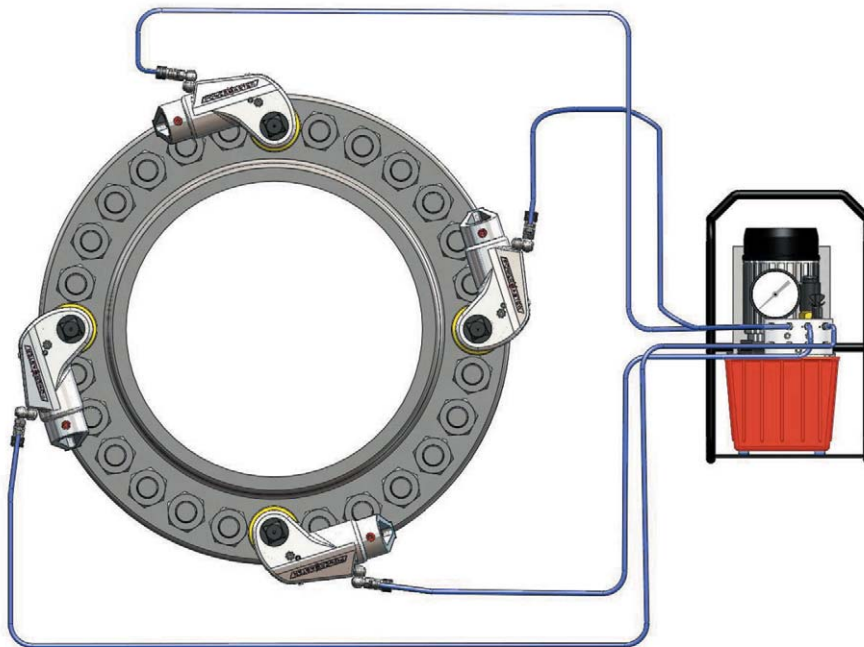
Quadra-Port - Ensures Even Load Distribution !



Uneven load using one tool



Even and precise loading with Quadra-Port 4 tool system.



Quadra-Port four tool system

Powermaster - Offers A Complete Hydraulic Bolting Service.....



Powermaster Bolting Services offer the following advantages :

- **Safe** : Powermaster supervisors ensure a trouble free job.
- **Fast** : Skilled and experienced crew will allow the job to be completed faster and better than a 'First Time' crew.
- **Economical** : Since most companies use hydraulic bolting tools for a small part of the year, in a lot of cases it does not justify the large investment needed to purchase the tools.
- **Time Savings** : Since Powermaster carries a fleet of hydraulic bolting tools in its ISO-9001:2008 certified facility, our crew can be on site and on the job in matter of days, versus the weeks and sometimes months it takes for a company to purchase and commission a new set of hydraulic bolting tools.

RENTAL PROGRAMS

For customers who do not have the need for Powermaster crew, they have the option of renting Powermaster tools at a nominal cost. Powermaster recommends an orientation of the use of its tools at its plant or at one of its authorized distributors, before the tools are sent out to the customer on rent. Please contact us for rental information and prices.

POWER PACKS

EP1000 Electric



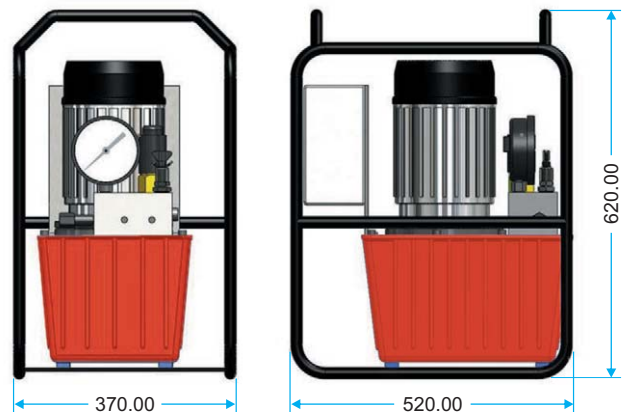
EP1000 with Mono Port



EP1000 with Quadra Port (4 Port)

EP1000 - High Flow - High Speed for Heavy Duty Application

- Quadra-Port Multi-Port Manifold (Max. 4 Ports).
- Cool running continuous duty axial piston pump.
- Single phase induction motor.
- 115V and 230V available.
- Starts under full load.
- Runs on reduced voltage.
- Quiet operation (approx. 80 dBA @ 10,000 PSI).
- Rugged remote pendant to control motor and valve.
- Easily adjustable pressure control knob.
- Auto-dump relieves oil pressure from hoses.
- Completely enclosed motor housing and electronics.
- 2 Gallon oil reservoir.
- Precise PSI/BAR pressure gauge.
- Quick-connect no-drip couplers with safety locking collar.
- Supplied with dual non-conductive high pressure hose with couplers.



Resvr. Size (Gal.)	Valve		Motor Specifications	Flow Rate		Weight	
	Control	Type		600 psi	10,000 psi	kg	lbs
2	Solenoid	3 Way/2 Pos.	1.5 HP Single Phase	11 lpm	0.9 lpm	38	84

Retract pressure is preset at 1,300 PSI.

POWER PACKS

AP1000 Pneumatic



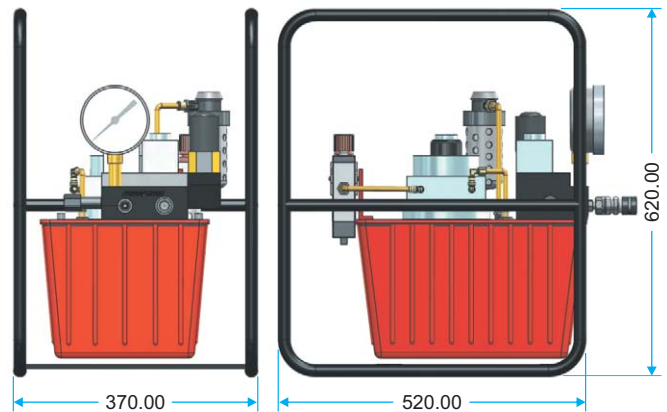
AP1000 with Mono Port



AP1000 with Quadra Port (4 Port)

AP1000 - High Flow - High Speed for Heavy Duty Application

- Quadra-Port Multi-Port Manifold (Max. 4 Ports).
- Cool running continuous duty axial piston pump.
- Powerful industrial duty air motor.
- Runs on 70 cfm / 90 PSI of air.
- Quiet operation (approx. 75-80 dBA @ 10,000 PSI).
- Rugged remote pendant to control motor and valve.
- Easily adjustable pressure control knob.
- Auto-dump relieves oil pressure from hoses.
- Filter-lubricator for long trouble free operation.
- 2 Gallon oil reservoir.
- Precise PSI/BAR pressure gauge.
- Quick-connect no-drip couplers with safety locking collar.
- Supplied with dual non-conductive high pressure hose with couplers.



Resvr. Size (Gal)	Valve		Motor Specifications	Flow Rate @ 70 cfm/ 90psi		Weight	
	Control	Type		600 psi	10,000 psi	kg	lbs
2	Solenoid	3 Way/2 Pos.	Industrial Rotary Air	11 lpm	0.9 lpm	37	81

Retract pressure is preset at 1,300 PSI.

PUMP ACCESSORIES



▲
Quadra-Port
(Multi-Port Manifold (Max. 4 Ports))



▲
Hoses available in all lengths
(15' hose standard with all pumps)



▲
No-Drip Quick-Connect Couplers
(Standard on all Powermaster equipment)