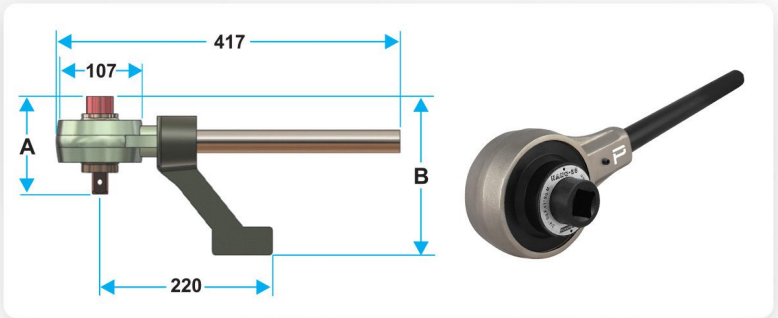


NANO SERIES TORQUE MULTIPLIER

Features :

- Compact, Heavy Duty Torque Multiplier with a torque multiplication of 5:1.
- Accuracy better than $\pm 4\%$ with high repeatability.
- Provided with detachable reaction handle.
- Optional offset reaction arm also available on demand.



Model No.	Capacity			Ratio	Sq. Drive (inch)		A mm	B mm	Weight (Kg)	
	Kgm.	Lb.ft.	Nm.		input	Output			With Reaction Arm	With Box
NANO-13	132	962	1300	5:1	1/2	3/4	105	115	4.4	5.4
NANO-17	170	1250	1700	5:1	1/2	3/4	107	115	4.4	5.4
NANO-28	280	2033	2800	5:1	3/4	1	107	126	4.7	5.7

SLIM TORQUE MULTIPLIERS



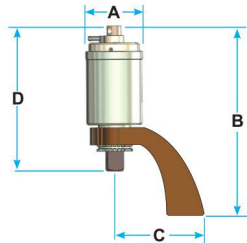
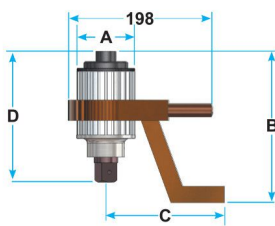
STM-1



STM-2



STM-3



MODEL	STM - 01	STM - 02	STM - 03
A	81	88	88
B	133-175	272	272
C	165	141	151
D	149	207	217

Features :

- Compact Size : Compact in size hence can be used in constrained areas.
- Ratio : Higher reduction ratio for low input.
- Safety : Safety shear pin at the input provisioned to prevent overloading.
- AWUR : In built Anti-Windup Mechanism reduces operators effort. Can be used with non-ratchet type torque wrench.
- Pin Lock : Pin Lock mechanism at output Sq. Drive for positive locking of socket.
- Reaction Arm : Different type of reaction arm available as per user requirement.
- Accuracy : Better than $\pm 4\%$ with very high repeatability.

Model No.	Torque Capacity			Reduction Ratio	Sq. Drive		O.D. mm	Weight kg	Recommended Torque Wrench
	N m	Lb ft	Kg m		input	output			
STM - 1	2500	1845	255	1 : 8	1/2" F	1"	81	4.3	PITW - 340
STM - 2	3200	2362	326	1 : 10	1/2" F	1"	88	6.3	
STM - 3	4200	3100	428	1 : 10	3/4" F	1.1/2"	88	6.8	PVTR - 5000

Note : STM - 2 and STM - 3 are fitted with Anti-Wind-Up Ratchet (AWUR) Mechanism. STM-1 can be provided with AWUR.

NANO SERIES TORQUE MULTIPLIER