

HEAVY DUTY INDUSTRIAL IMPACT WRENCHES



TIW - 16



TIW - 27



TIW - 48



TIW - 48

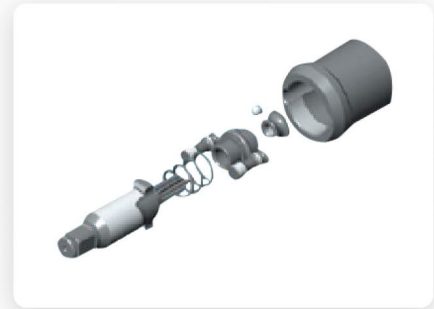
Model No.	TIW - 16	TIW - 27	TIW - 48	TIW - 76
Bolt Capacity	16 mm (5/8")	27 mm (1.1/8")	48 mm (1.7/8")	76 mm (3")
Square Drive Size	1/2"	3/4"	1"	1.1/2"
Max. Torque	576 Nm (425 ft.lb)	1300 Nm (959 ft.lb)	2500 Nm (1844 ft.lb)	3100 Nm (2300 ft.lb)
Air Inlet	1/4"	3/8"	3/8"	1/2"
Hose Size (mm)	12	12	12	12
Sound Level (dBA)	95	95	95	95
Vibration (m/s ²)	2.9	3.4	5.5	11.0
Air Pressure Needed	90 psi (6 bar)	90 psi (6 bar)	90 psi (6 bar)	90 psi (6 bar)
Net Weight (kg)	2.5	6.4	7.8	19

HEAVY DUTY INDUSTRIAL IMPACT WRENCHES

Mechanisms

Pin Clutch - (DYNA PACT CLUTCH)

Two Pin Clutch hammers strike the anvil, provides high torque, low vibration and fast run downs. This mechanism delivers higher performance and extended durability.



Pin Hammer

Good connection of Pin & Hammer produces excellent stability and durability. It generates in credible high torque and low vibration.



Thin Hammer

Unique Mechanism for continuous torque increase with two solid ring hammers. It delivers an instantaneous, balanced blow.



Features / Benefits:

- Heavy Duty for toughest applications.
- Highest torque output to weight ratio in industry.
- Available Twin Hammer or Pin Clutch Mechanisms for maximum versatility. Minimum Noise and Vibration.
- Available in 3/4", 1/2", 1" and 1.1/2" square drives.
- Uses standard air supply.