

POWERMASTER

PNEUMATIC TORQUE WRENCHES



www.powermaster.in

PNEUMATIC TORQUE WRENCHES

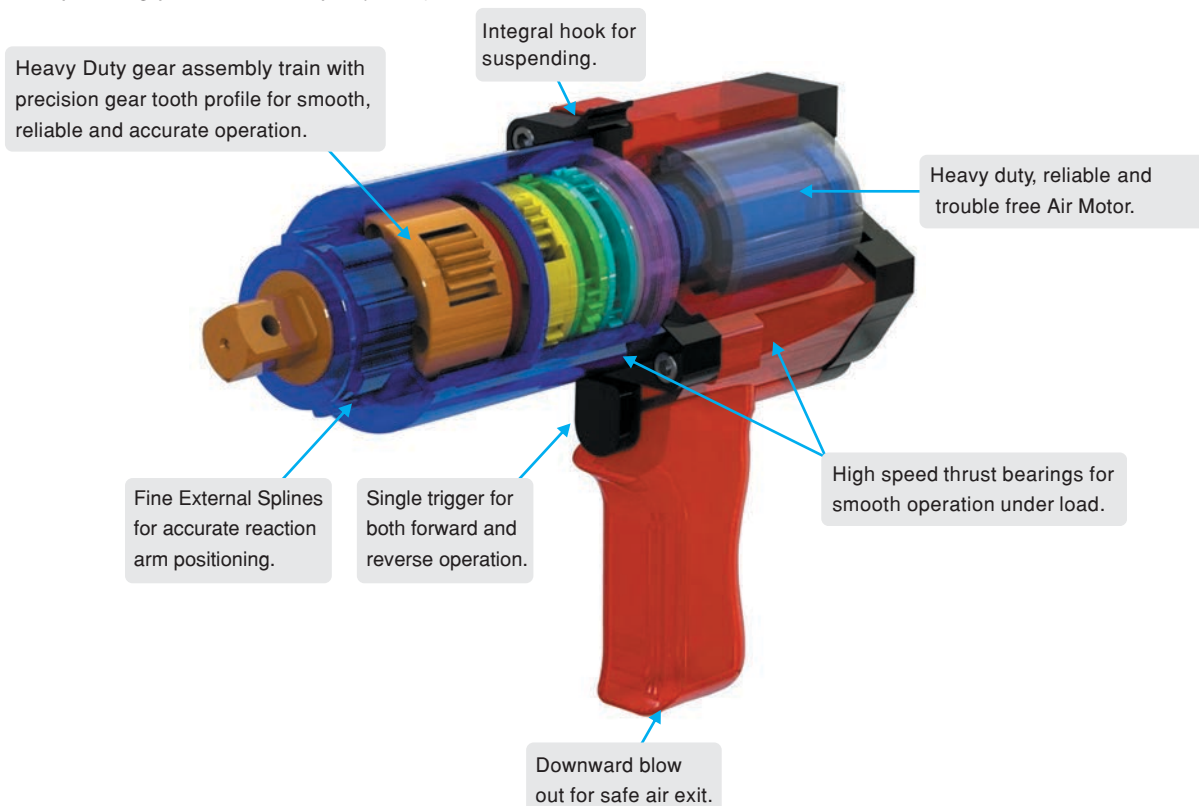


A Pneumatic Torque Wrench is an air motor driven planetary gear box having a very high reduction ratio. The gear box is provisioned with a reaction arm to absorb the torque reaction. Unlike impact wrench a pneumatic torque wrench is driven by continuous gearing and hence has no noisy and hazardous hammering. This is why a pneumatic torque wrench has an excellent accuracy and repeatability. Pneumatic torque wrench offers following significant advantages:

- Pneumatic is always known for clean and tidy way of working.
- Combination of Air motor with planetary gear guarantees, a much faster, safe and economical operation.
- Easy and fast operation.

VEGA SERIES PNEUMATIC TORQUE WRENCHES

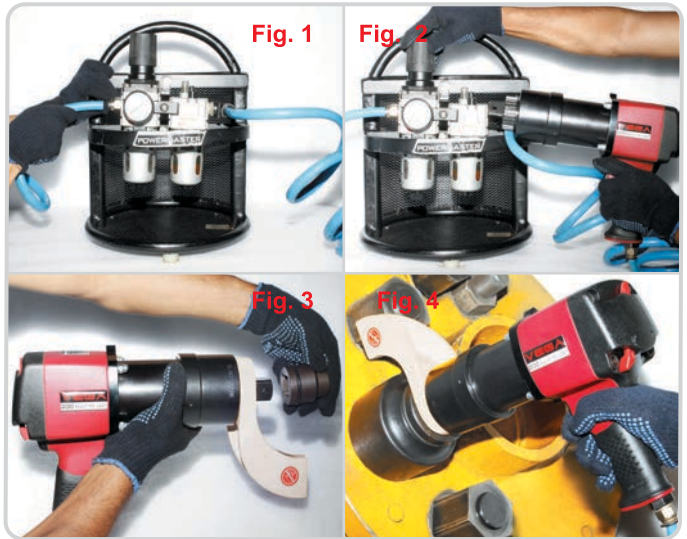
Pneumatic Torque wrenches are the preferred torquing method to achieve productivity with less man-power. Powermaster Pneumatic torque wrenches offer the reliable and dependable solution for the torquing and un-torquing of heavy duty bolts and nuts at various industries where speed, power, accuracy and safety are required. Maximum operating pressure is 90 psi (6 bar).



VEGA SERIES PNEUMATIC TORQUE WRENCHES

Brief Operational Sequence

- Connect the inlet air source to FRL Unit (fig.1), if required adjust the lubricant flow rate on FRL.
- Set the required pressure as per chart provided, on the FRL while trigger pressed in torquing direction (fig.2).
- Fix the required socket and reaction arm on to the tool (fig.3).
- Place the tool along with socket on the fastener, (fig.4) operate the trigger for giving torque.



Technical Features :

- **Light and Compact** : Light and compact tool design, suitable for variety of applications.
- **Heavy Duty Gear Box** : Heavy duty gear box with thrust bearing for low friction and longer operational life.
- **Single Trigger** : Single trigger for both forward and reverse operation.
- **Integral Hook Point** : Integral hook for use of tool balancer etc.
- **Low Noise Level** : Low noise level with no vibration.
- **High Accuracy** : VEGA has an accuracy of better than $\pm 5\%$ with repeatability within 2% variation.
- **Reaction Boot** : Reaction arm provisioned with removable boot for soft padding or extension as required.
- **Customised Reaction Arm** : A wide range of standard and customized reaction arm available as per customer requirement.
- **Wheel Extension** : Variety of wheel extension available for deep reach, where tool clearance is a problem.
- **Accessories** : Accessories like universal socket, universal joint and thin wall sockets available.

Technical Details:

Model No.	Min. Torque		Max. Torque		Free Speed	Square Drive	Weight
	Lbs	Nm	Lbs	Nm	rpm	inch	Kg.
VEGA - 15	30	45	130	180	42	1/2 / 3/4	7.0
VEGA - 50	125	170	500	680	25	3/4	9.5
VEGA - 75	185	250	750	1020	15	3/4 / 1	9.5
VEGA - 100	250	340	1040	1400	9	3/4 / 1	9.5
VEGA - 200	560	750	2200	3000	6	1 / 1.1/2	11.0
VEGA - 300	750	1010	3000	4050	3	1 / 1.1/2	12.5
VEGA - 400	1000	1350	4000	5400	2.5	1.1/2	15.4
VEGA - 500	1200	1650	4800	6500	2	1.1/2	16.5
VEGA - 600	1630	2200	6000	8100	1.5	1.1/2	16.5

AIR OPERATED FRL UNIT



It is used to regulate the air pressure and properly lubricate the air motor for ultimate life. The Regulator regulates the inlet air pressure and controls the output torque of pneumatic torque wrench. All pneumatic tools must be used with FRL Unit. It is strongly advised not to exceed the maximum operating pressure as specified in the individual tool certificate.

Technical Features :

- **Metallic Cage** : The Filter, Regulator, Lubricator & Hose are mounted on a strong handy metallic cage.
- **Calibrated Pressure Gauge** : Calibrated 0 - 150 psi pressure gauge for perfect torque output.
- **Regulator Knob** : Smooth operating regulator knob for easy setting of pressure, provided with safety lock.
- **Fine adjustment knob** : Fine adjustment of lubrication for tool available on FRL.
- **Manual Drain** : Easy Pull type manual drain to clear the water dispenser.
- **Safety Bowl Guard** : Polycarbonate bowl guard for safety in case of glass bowl failure.
- **Easy detachable bowl** : Easy detachable bowl for replenishing the oil / cleaning.
- **Hose** : Coiled 3 mtrs hose for easy storage in the cage.
- **Quick Connect Adaptors** : FRL comes fitted with quick connect adaptors for easy connection to Tool.

Technical Details

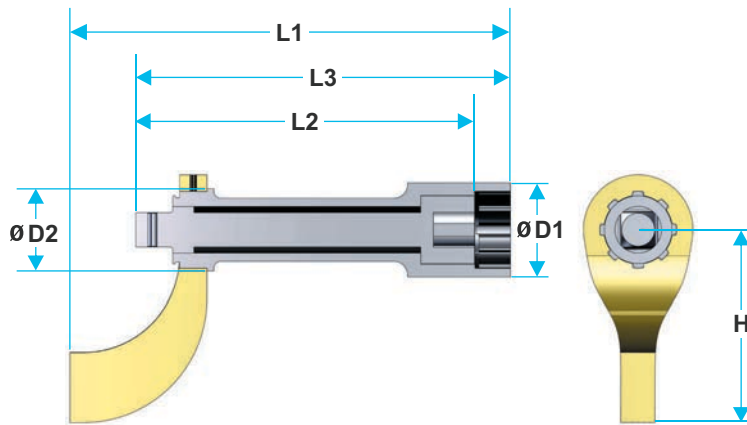
FRL	
Adaptor Size	1/2" BSP
Element	Sinter, Bronze (25 micron)
Bowl Capacity	150 ml
Bowl Guard	Steel
Pressure Gauge	0 - 150 psi
Diaphragms and Seals	Nitrile
Recommended Oil	ISO VG 32
Media (inlet air)	Compressed Air
HOSE	
Coiled Hose	3 mtrs.
Adaptor Size	1/2" BSP
CAGE	
Metallic Handy and Portable	Wt. 7 Kg. of Complete Assembly.

VEGA SERIES ACCESSORIES

Wheel Extension



Wheel extensions are used to reach the wheel hub bolts and nuts, where fitment of tool is not feasible. Powermaster has complete range of wheel extensions as referred below :

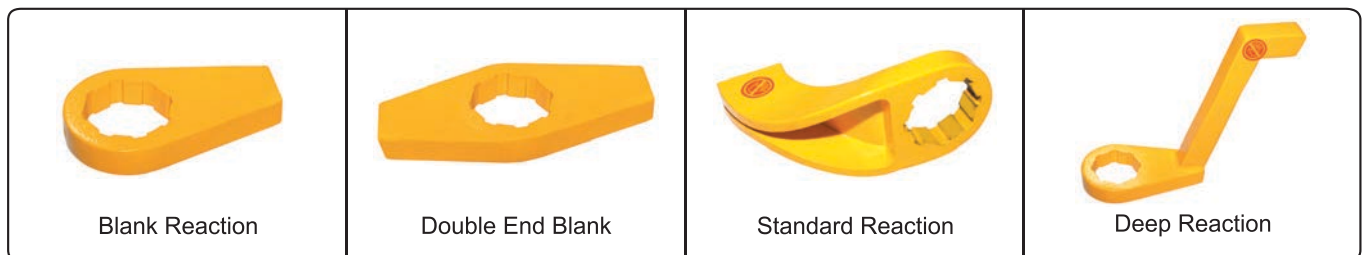


Technical Specifications

Model No.	Sq. Drive inch	L1 mm	L2 mm	L3 mm	D1 mm	D2 mm	H mm
PE 1206	3/4	210	150	185	75.5	60	142
PE 1208	3/4	260	200	235	75.5	60	142
PE 1210	3/4	310	250	285	75.5	60	142
PE 1608	1	265	200	235	75.5	60	142
PE 1610	1	315	250	285	75.5	60	142
PE 1608H	1	265	200	235	93.0	83	168

Reaction Arm

Different type of reaction arms are available for variety of application. Customized reaction arm are available on requirement.



Blank Reaction

Double End Blank

Standard Reaction

Deep Reaction

POWERMASTER ENGINEERS PVT. LTD.

A-701-702, T.T.C. Industrial Area, Mahape-Turbhe Road, M.I.D.C., Khairne,
Navi Mumbai - 400 705, INDIA.

Phone: +91.22.6761 9100

Website: www.powermaster.in email: sales@powermaster.in