

FLANGE ALIGNMENT TOOL

FLANGE ALIGNMENT TOOL



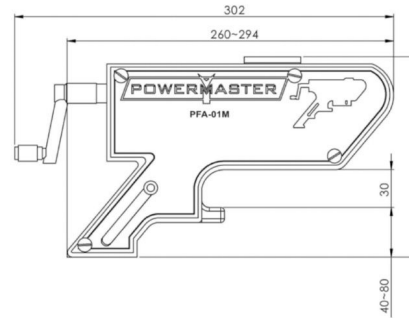
MECHANICAL FLANGE ALIGNMENT TOOL - PFA-01M

Quality Means Lower Life-Cycle Costs:

- Aligning Force: 1T (10 kN)
- Tool Weight: 2.5 kg (5.51lb)

Standard Kit

- 1 X PFA-01M Tool
- 1 X Ratchet Strap
- 1 X Instruction Manual
- 1 X Carry Case



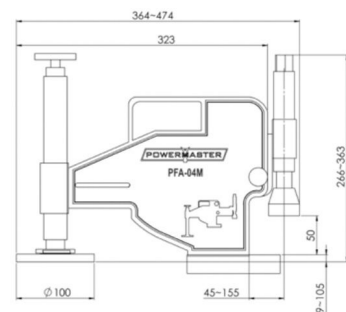
MECHANICAL LINEAR AND ROTATIONAL FLANGE ALIGNMENT TOOL - PFA-04M

Quality Means Lower Life-Cycle Costs:

- Aligning Force: With 68 N.m (50 ft.lb) of torque applied: 4T (40 kN)
- Tool Weight: 9.9 kg (21.82 lb)

Standard Kit

- 1 X PFA-04M Tool
- 1 X 68 N'm (50ft'lb) (Ratchet) with 22mm Socket
- 1 X Ratchet Strap
- 1 X Instruction Manual
- 1 X Carry Case



FLANGE ALIGNMENT TOOL



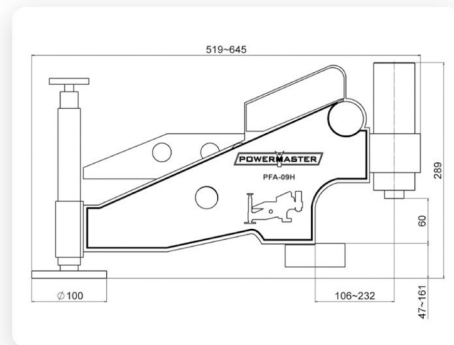
HYDRAULIC FIXED FLANGE AND ROTATIONAL TOOL - PFA-09H

Quality Means Lower Life-Cycle Costs:

- Aligning Force: 10000 psi (700 Bar) = 9T (90kN)
- Tool Weight: 16.67 Kg (36.75 lbs)

Standard Kit

- 1 X PFA-09H Tool
- 1 X 700 bar (10 000 psi) PM-HP-10-1 Hydraulic Hand Pump
- 1 X 2.0m (78.74"), 700 bar (10 000psi) Hydraulic Hose
- 1 X Ratchet Strap
- 1 X Instruction Manual
- 1 X Carry Case



Without appropriate tools for flange alignment, efficiency and safety is vulnerable. Powermaster's flange alignment tools should be part of a basic tool set for anyone doing service work in pipeline maintenance.

The Powermaster range of precise, labor saving flange alignment tools will eliminate risks associated with traditional flange alignment practices.

Easy, Simple, Safe, modern solution for linear or rotational misalignment of fixed flanges.

A simple solution to small, low pressure flange misalignment. The Mechanical Fixed Flange & Rotational Alignment Tool is the perfect solution for flange aligning, eliminating the risk of slippage.

The Most Practical/Safe Option

- The Flange alignment tool can be used during
- Construction
 - Commissioning
 - Routine maintenance
 - Shutdowns/outages

Special Features

- Precise and safe operation
- Saves cost and time
- Safer operation than traditional methods
- Lightweight – ideal for remote locations
- Robust and portable
- Lifting capacity 4000 kg

Operating Benefits

- Safe
- Simple
- Cost effective
- Can be used both on and offshore