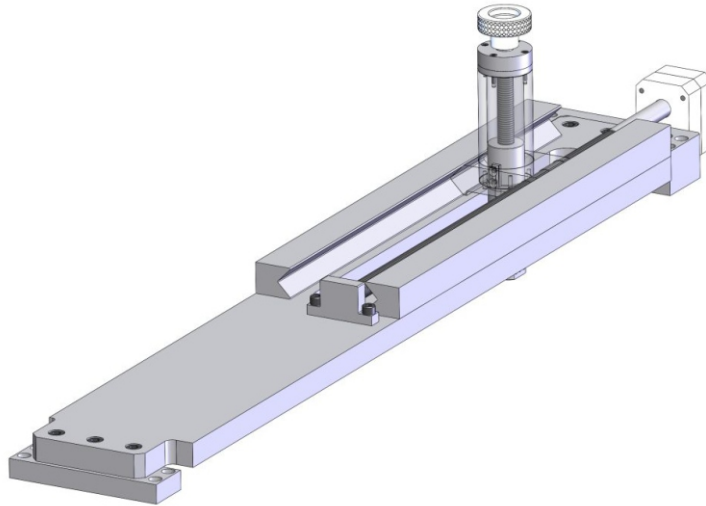
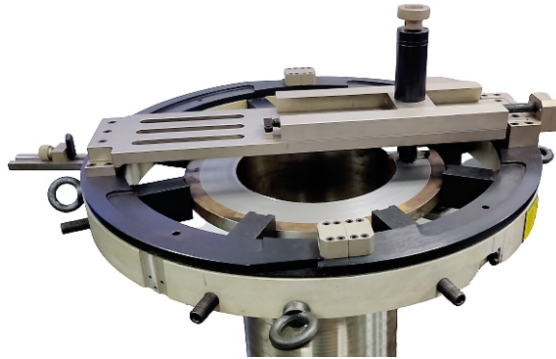


# BRIDGE SIDE ATTACHMENT



**Facing Attachment**



**Split Frame Machine Attachment**

## Features :

- Light and portable Flange Facing Attachment used with Powermaster Split Frame Machines.
- Powermaster offers a range of these attachments for resurfacing a flat face and raised flange faces and machining of RTJ Grooves.
- Suitable Flange size from 50.8mm OD to 1219.2 mm OD (2" to 48").

## Technical Details:

Model No.	Suitable for Machine	Facing Range	Flange OD Range
		inch	inch
BS-SF-12	SF-2-6, SF-6-12	0 - 12	02 - 12
BS-SF-13	SF-12-18, SF-18-24	0 - 24	12 - 24
BS-SF-14	SF-24-32, SF-28-36	0 - 36	24 - 36
BS-SF-15	SF-34-42, SF-40-48	0 - 48	34 - 48