

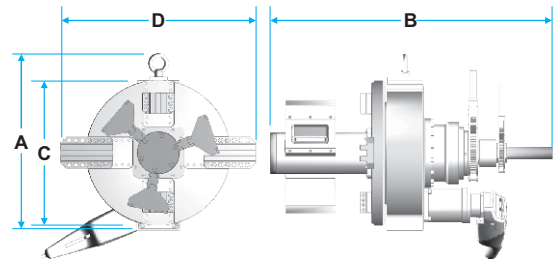
# FM-24000

## TUBE / PIPE BEVELLING MACHINE

Combination of Power and Wide Range  
Tube / Pipe Beveling Machine

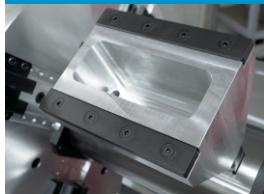
Locking Range **180mm ID to 609mm ID (7" - 24")**

The FM-24000 is a combination of power and range in a light and portable design. Rugged and balanced machine suitable for tubes and pipes in the size range of 180mm to 609mm in internal diameter.



### 6 Points Locking Jaws

FM-24000 180-609mm (7-24")



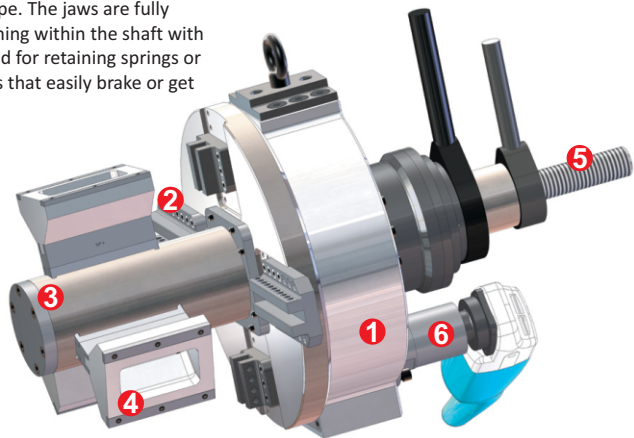
180 mm (7") Shaft, assures rigidity when machine heavy wall pipe. The jaws are fully containing within the shaft with no need for retaining springs or O-rings that easily brake or get lost.

### Expandable Holders

FM-24000



Machine is equipped with 8" standard cutter head.



### Technical Specification

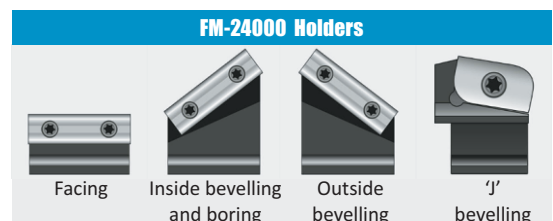
Drive		Pneumatic	Electric
Locking Range	mm	180 - 609	180 - 609
	(inch)	(7" - 24")	(7" - 24")
Idle Speed	rpm	10	13
Torque	Nm (lbf.ft)	3376 (2490)	1400 (1032)
Feeding Stroke	mm (inch)	60 (2.36")	60 (2.36")
Pneumatic Power	HP	3.5	-
Air Consumption	cfm	95	-
Air Pressure	bar (psi)	6.2 (90)	-
Electric Power	Watts	-	2600
Voltage	V	-	230
Net Weight	kg (lb)	250 (550)	250 (550)

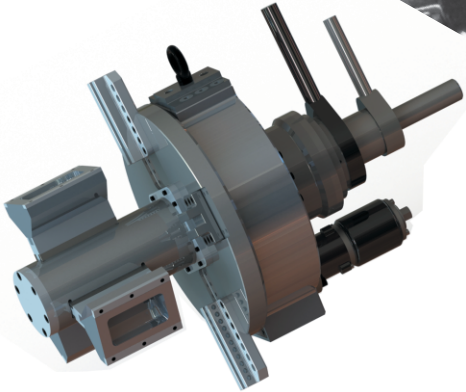
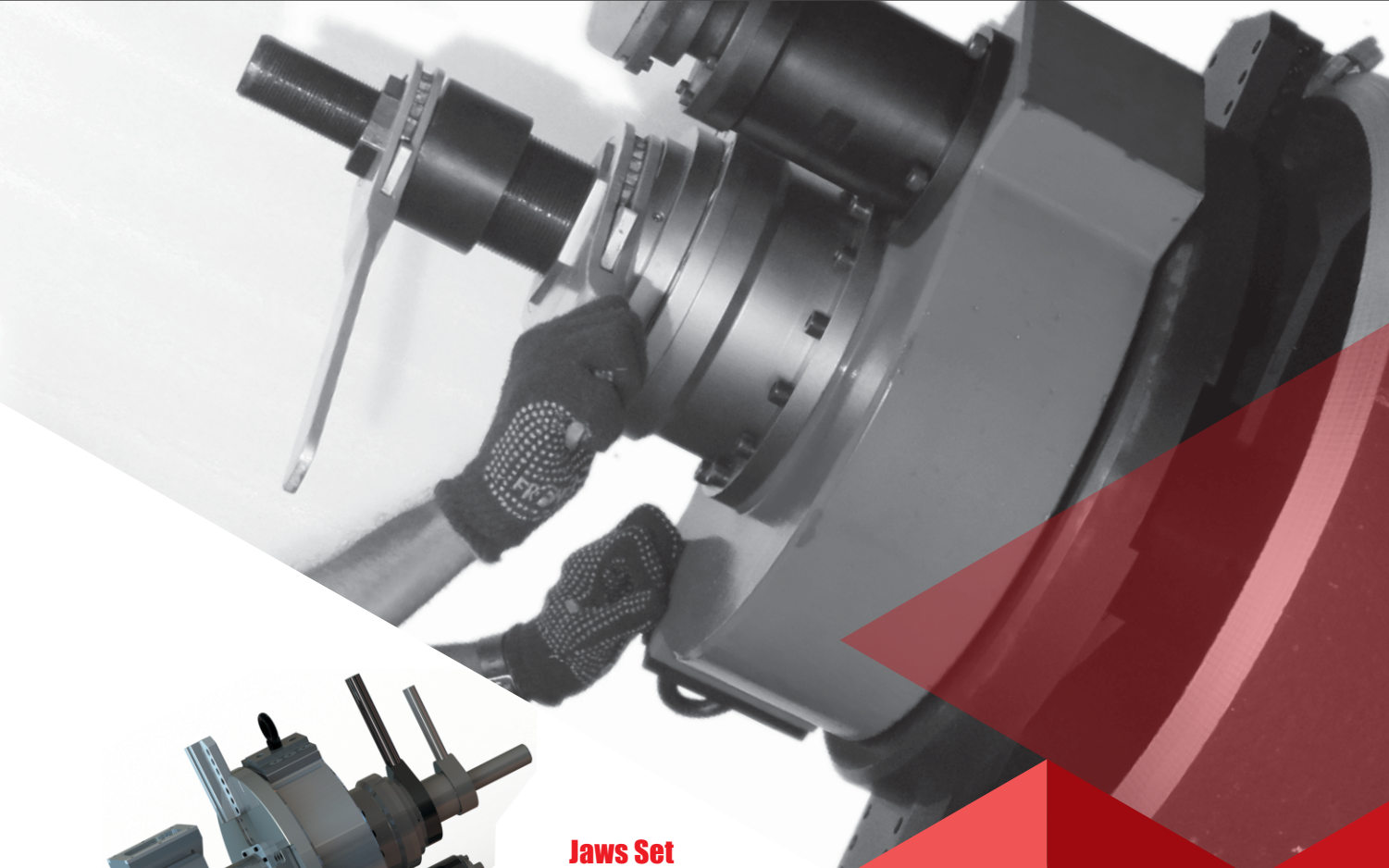
	Pneumatic (mm)	Electric (mm)
A	600	600
B	975	975
C	500	500
D	674	674

### Features

- 1 BODY** - Light weight, high pressure cast aluminum body allows continuous operation under the harshest conditions.
- 2 TOOL HOLDER** - Holds the cutting tool bits tightly at the desired position. Its robust construction and support to the cutting bits ensure vibration free performance.
- 3 FEED SHAFT** - High strength, precise machined and hardened feed shaft provides a strong support to the assembly which slides over it.
- 4 JAW** - Wedge style hardened tool steel mounted jaws for maximum life and secure positioning. Available within the locking range of 180mm to 609mm.
- 5 CENTRAL MANDREL** - Expanding mandrel allows fast, accurate and self-centering alignment with torque-free operation for operator safety.
- 6 PNEUMATIC OR ELECTRIC DRIVE** - High quality pneumatic or electric drive for reliable service and long working life.

### Holders





**Pneumatic**

**Jaws Set**

FM-24000 (180-609mm)



**Electric**

**Heavy Duty Pendant**

FM-24000 Pendant



Machine is equipped with a heavy duty pendant.

▼ FM-24000 is used for heavy duty applications.



**Recommended for :**  
**Tube Facing, Tube Beveling, Piping Industries**