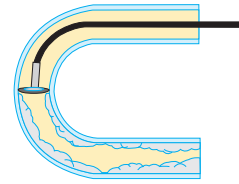




CLEANING ACCESSORIES

**U-TUBE TOOLS** These tools are used to clean tubes that have sharp bends in them. They consist of a brush or cobalt tip mounted on a piece of flexible shaft so the tool can negotiate the bend.



**CUP BRUSH TOOLS - Brass or Stainless Steel**

Tube I.D.		Cup Brush Tools
mm	inch	
12.7-19.1	1/2-3/4	CBT-500B
12.7-19.1	1/2-3/4	CBT-500SS



CUP BRUSH TOOL

**WHEEL BRUSH TOOLS - Brass or Stainless Steel**

Tube I.D.		Wheel Brush Tools
mm	inch	
20.6-25.4	13/16-1	WBT-813B
20.6-25.4	13/16-1	WBT-813SS



WHEEL BRUSH TOOL

**COBALT TIP TOOLS**

Tube I.D.		Cobalt Tip Tools
mm	inch	
12.7	1/2	CTT-500
15.9	5/8	CTT-625



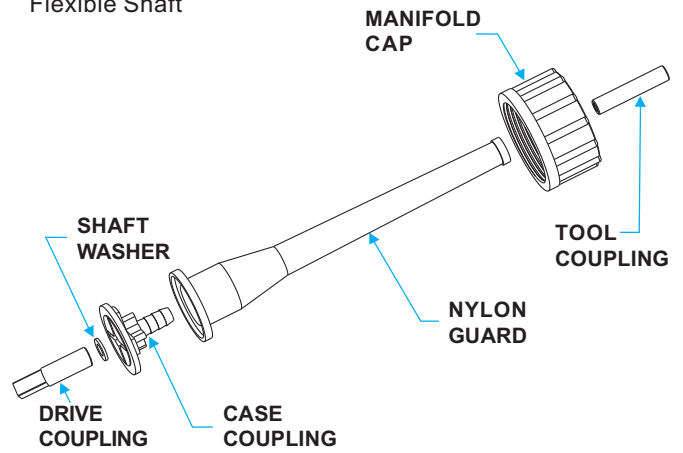
COBALT TIP TOOL

For sizes not listed above please contact us.

**SHAFT REPLACEMENT COUPLINGS**

Flexible Shaft Model	PFS-250	PFS-375	PFS-500	PFS-560	PFS-750
Tool Coupling	TC-250	TC-375	TC-500	TC-560	TC-750
Case Coupling	CC-250	CC-375	CC-500	CC-560	CC-750
Manifold Cap	MC-1	MC-1	MC-1	MC-1	MC-1
Shaft Washer	3/16x3/4	5/16x3/4	7/16x3/4	9/16x7/8	11/16x1
Drive Coupling	DC-250	DC-375	DC-500	DC-560	DC-750
Nylon Guard	NG-250	NG-250	NG-500	NG-500	NG-750

**FLEXIBLE SHAFT REPAIR AND MAINTENANCE**  
For PFS-250, PFS-375, PFS-500, PFS-560 and PFS-750 Flexible Shaft



**SHAFT REPAIR TOOL** allows users to quickly and safely attach couplings onto the shaft ensuring maximum useful life for the shaft.

SHT-1 Shaft Repair Tool with Hammer.  
SHP-1 Replacement Hammer.



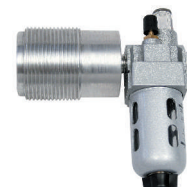
SHAFT REPAIR TOOL

**FLEXIBLE SHAFT LUBRICATOR** is used to lubricate flexible shafts for maximum useful life. They are also used to lubricate shafts prior to storage. The lubricator is filled with a water soluble lubricant that enters and lubricates the shaft when air supply is provided to the lubricator. The residue lubricant washes out with water when the shaft is used again.

PFSL-1 Flexible Shaft Lubricator.  
PLUBE Lubricant for flexible shaft lubricator, 8 ounces (0.25 litres).



LUBRICANT



FLEXIBLE SHAFT LUBRICATOR

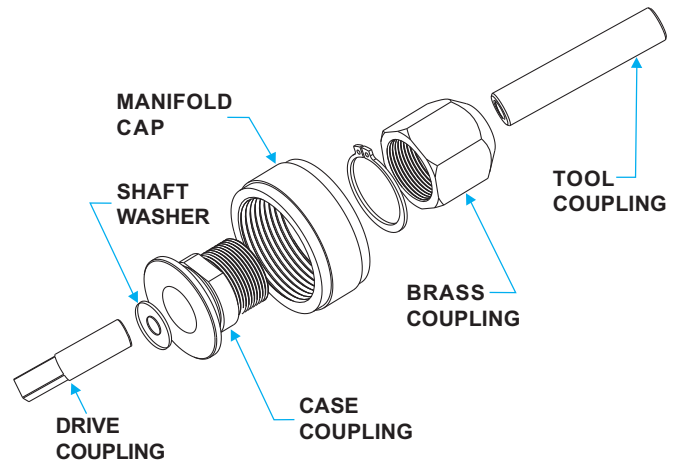
## FLEXIBLE SHAFTS REPAIR / MAINTENANCE

For PFS-750, PFS-875 and PFS-875-SS Flexible Shafts

### SHAFT REPAIR COUPLINGS

The life of flexible shafts can be extended by proper use and maintenance. If a flexible shaft should break at either end it can be easily repaired by cutting off the end portion and using a shaft repair tool to attach a coupling onto the cut shaft.

Flexible Shaft Model	PFS-875/ PFS-875-SS
Tool Coupling	TC-750
Case Coupling	CC-875
Manifold Cap	MC-2
Shaft Washer	9/16x7/8
Drive Coupling	DC-750
Brass Coupling	BC-875



### SHAFT REPAIR TOOL FOR FLEXIBLE SHAFT REPAIR

Allows users to quickly and safely attach couplings onto the shaft ensuring maximum useful life for the shaft.

**SHT-1** Shaft Repair Tool with Hammer.

**SHP-1** Replacement Hammer.

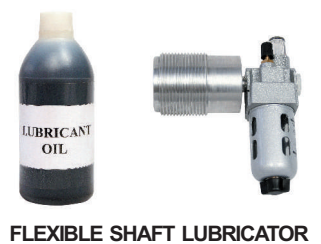


### FLEXIBLE SHAFT LUBRICATOR

Is used to lubricate flexible shafts for maximum useful life. They are also used to lubricate shafts prior to storage. The lubricator is filled with a water soluble lubricant that enters and lubricates the shaft when air supply is provided to the lubricator. The residue lubricant washes out with water when the shaft is used again.

**PFSL-1** Flexible Shaft Lubricator.

**PLUBE** Lubricant for flexible shaft lubricator, 8 ounces (0.25 litres).



### FLEXIBLE SHAFT REPAIR KITS

Flexible shaft repair kits include 4 drive end repair couplings, 4 tool end repair couplings, 1 shaft repair tool with punch, 1 flexible shaft lubricator, 2 bottles [8 ounce (0.25 liter) each] of lubricant for flexible shaft lubricator.

**REP-750-KIT** Repair kit for PFS-750, PFS-875 and PFS-875-SS Flexible shafts.



## COMING SOON IN OUR TUBE CLEANER LINE

- 1) *Boiler Cleaning Systems (Twin Drive).*
  - 2) *Shoot Thru Tube Cleaning Guns.*
- And more.....*