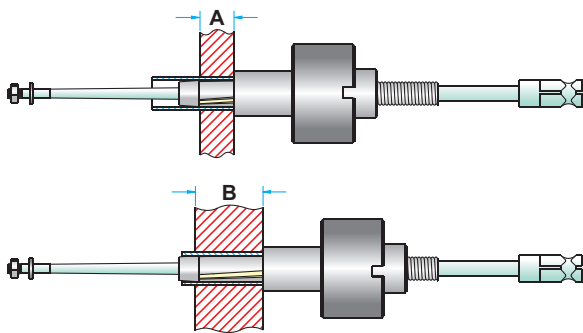


# 900 SERIES

1/4" - 3/8"  
O.D.

900 SERIES



FOR TUBES INTERNAL DIAMETER  
FROM (3.8 mm) .152" TO (8.4 mm) .331"

TUBE EXPANDERS FITTED WITH ROLLER LENGTH	FOR TUBE SHEET ADJUSTABLE RANGE	
	MINIMUM A	MAXIMUM B
(19.05mm) 3/4"	(6.35mm) 1/4"	(19.05mm) 3/4"
(31.75mm) 1.1/4"	(19.05mm) 3/4"	(31.75mm) 1.1/4"

- Use : Oil Coolers, Radiators and other apparatus with small diameter tubes.
- This tool has been the workhorse for several years for use on small diameter tubes.

Tube O.D. (mm) inch	Tube Thickness			Tube I.D.		Minimum I.D. Tool Enters		Maximum Expansion of Tool		EXPANDER with (19.05 mm) 3/4" Long Rollers			EXPANDER with (31.75 mm) 1.1/4" Long Rollers		
	bwg	mm	inch	mm	inch	mm	inch	mm	inch	Complete Tool No.	Mandrel No.	Rollers Set. No.	Complete Tool No.	Mandrel No.	Rollers Set. No.
6.35 1/4	20	0.88	.035	4.5	.180	4.4	.175	5.1	.200	923	M-40	923	-	-	-
	21	0.81	.032	4.7	.186	4.5	.180	5.2	.207	924	M-40	924	-	-	-
	22	0.71	.028	4.9	.194	4.8	.190	5.5	.216	925	M-41	925	-	-	-
	23	0.63	.025	5.0	.200	4.9	.195	5.6	.222	926	M-41	923	-	-	-
	24	0.55	.022	5.2	.206	5.1	.201	5.8	.230	927	M-41	924	-	-	-
	28	0.35	.014	5.6	.222	5.6	.222	6.0	.238	928	928	903	-	-	-
	29	0.33	.013	5.7	.224	5.6	.222	6.0	.238	928	928	903	-	-	-
	30	0.30	.012	5.7	.226	5.6	.222	6.0	.238	928	928	903	-	-	-
9.53 3/8	14	2.10	.083	5.3	.209	5.1	.201	5.8	.232	927	M-41	924	-	-	-
	15	1.82	.072	5.8	.231	5.8	.230	6.7	.265	915	M-42	903	-	-	-
	16	1.65	.065	6.2	.245	6.1	.240	6.9	.275	916	M-36	916	916 L	M-36 L	916 L
	17	1.47	.058	6.5	.259	6.4	.255	7.3	.289	918	M-38	903	920	M-38	904
	18	1.24	.049	7.0	.277	6.9	.272	7.8	.307	901	M-30	903	902	M-30	904
	19	1.06	.042	7.3	.291	7.2	.286	8.1	.320	903	M-31	903	904	M-31	904
	20	0.88	.035	7.7	.305	7.6	.300	8.4	.334	905	M-32	907	906	M-32	908
	21	0.81	.032	7.9	.311	7.7	.306	8.6	.340	907	M-33	907	908	M-33	908
	22	0.71	.028	8.1	.319	7.9	.314	8.8	.349	909	M-34	909	910	M-34	910
	23	0.63	.025	8.2	.325	8.1	.320	9.0	.357	911	M-34	911	912	M-34	912
24	0.55	.022	8.4	.331	8.1	.320	9.0	.357	911	M-34	911	912	M-34	912	

Note : All '900' series expanders come with 1/4" square mandrel drives. Round mandrel drives are optional.

www.powermaster.in