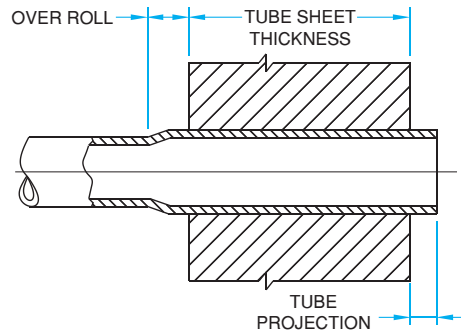
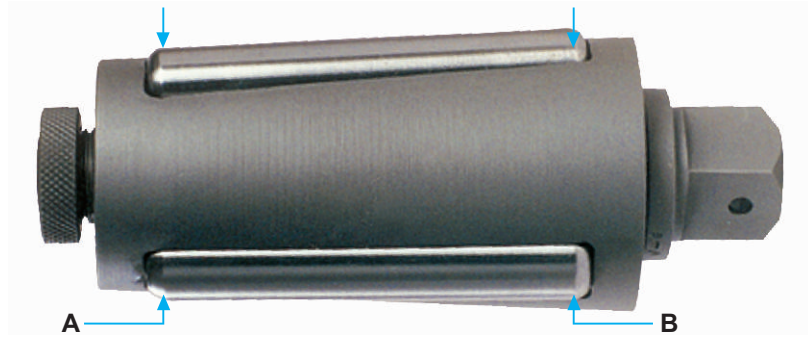


1"-3"  
O.D.

**V SERIES NON PARALLEL TUBE EXPANDERS**



- Used for repair and erection of boilers with thin tube sheets.
- Twice as fast as conventional expanders.

Tube O.D.	Tube Thickness		Expansion Range		Effective Rolling Length		Tube Expander Model No.	Spare Mandrel		Mandrel Sq. Size inch	Spare Roller Set Model No.
	inch	bwg	Dim.A - Dim.B mm	Dim.A - Dim.B inch	mm	inch		Short Mandrel Model No.	Header Mandrel Model No.		
1	10 - 13	.134 - .095	17.3 - 23.7	.681 - .937	84.20	3.5/16	V - 1	VSM - 1	VHM - 1	1/2	VR - 1
1.1/4	10 - 13	.134 - .095	23.8 - 30.6	.940 - 1.206	84.20	3.5/16	V - 2	VSM - 2	VHM - 2	1/2	VR - 2
1.1/2	10 - 13	.134 - .095	29.3 - 37.3	1.156 - 1.469	101.20	4.000	V - 3	VSM - 3	VHM - 3	1/2	VR - 3
2	10 - 13	.134 - .095	42.3 - 49.7	1.665 - 1.960	101.20	4.000	V - 4	VSM - 4	VHM - 4	3/4	VR - 4
2.1/2	10 - 13	.134 - .095	54.5 - 62.7	2.145 - 2.469	101.20	4.000	V - 5	VSM - 5	VHM - 5	3/4	VR - 5
3	10 - 13	.134 - .095	68.2 - 76.6	2.687 - 3.015	101.20	4.000	V - 6	VSM - 6	VHM - 6	1	VR - 6

**Note :** Other sizes available on request.