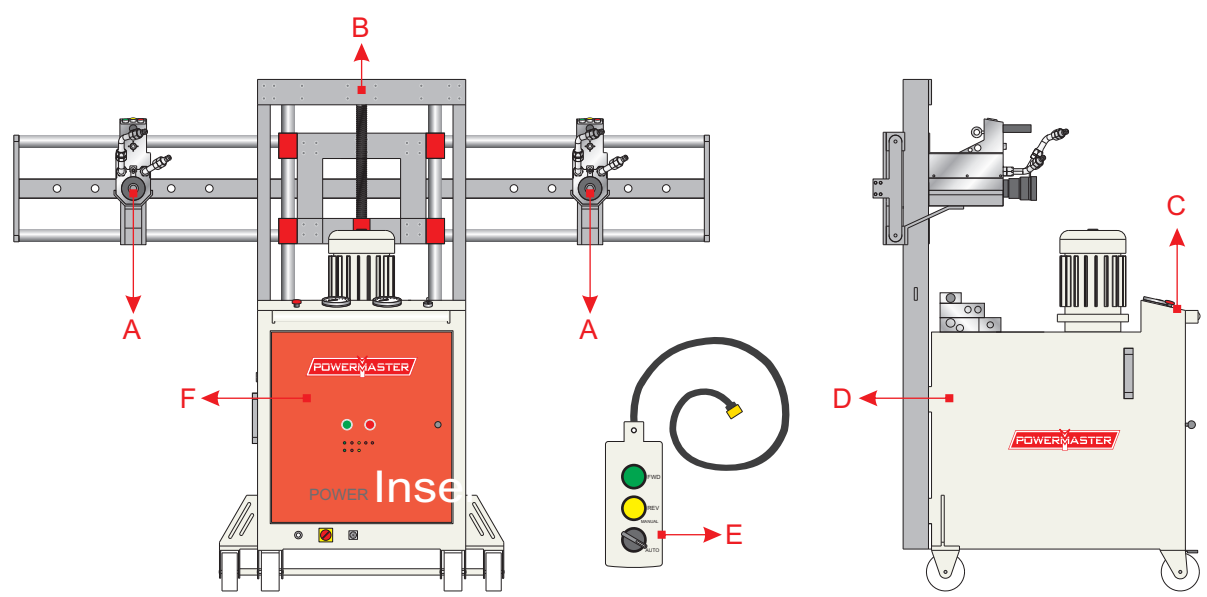


TUBE BUNDLE INSERTER



A	Fully Automatic Hydraulic Pistons
B	Biaxial positioning frame with horizontal. Vertical movement.
C	Control Panel
D	Hydraulic Powerpack
E	Remote Control
F	Electrical Cabinet

Features :

- Used for insertion of long and heavy tube bundles inside the shell of heat exchangers.
- Inserts tube bundle at rate of 3mtrs/min.
- Generates a coaxial force of 60 tons to insert tube bundle into the shell without any jolts thereby avoiding damages to shell and tube bundles.
- Can be easily converted into double headed tube puller for tube extraction.

TECHNICAL SPECIFICATIONS

Model	Pulling Force	Insertion Speed	Maximum Pressure	Power	Volts/phase	Tank Capacity	Weight
	Tons					Liter	
TBI	60	3	300	8	380-50Hz/3	150	800